



Vertical Machining Centers ACE CENTER MB-V Series / GENOS Series MILLAC Series



NC ROTARY TABLE





NC ROTARY TABLE

NC ROTARY TABLE Machine Compatibility

ACE CENTER MB-V/GENOS



Machine Type		ACE CENTER				GENOS	
		MB-46VA/B	MB-46VAE/BE	MB-56VA/B	MB-66VA/B	M460-VE	M560-V
		Table Model					
 MR 	120	○	○	○	○	○	○
	160	○	○	○	○	○	○
	200	◎P5	◎P7	○	○	◎P13	○
	250	☎	☎	○	○	☎	○
	320	☎	☎	◎P9	◎P11	☎	◎P15
GT 	200	○	○	○	○	○	○
	250	◎P5	◎P7	○	○	◎P13	○
	320	☎	☎	◎P9	◎P11	☎	◎P15
TMX·TRX·TR 	160	○	○	○	○	○	○
	200	◎P6	◎P8	○	○	◎P14	○
	250	☎	☎	◎P10	○	☎	◎P16
	320	☎	☎	○	◎P12	☎	○
	400	—	—	☎	☎	—	☎
500	—	—	—	☎	—	—	
TT 	101	○	○	○	○	○	○
	120	○	○	○	○	○	○
	140	☎	☎	○	○	☎	○
	182	◎P6	◎P8	○	○	◎P14	○
	251	☎	☎	◎P10	○	☎	◎P16
	321	—	—	☎	◎P12	—	☎


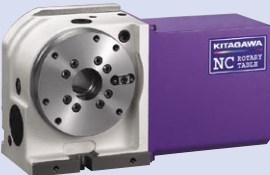

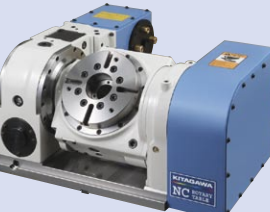
Note 1 ◎ : Recommend ○ : Available ☎ : Contact us

Note 2 Other than these above, check on the Kitagawa NC Rotary Table catalogue.

Note 3 The drawings shown are only for reference.
Enquire separately for details and for particular specifications.

MILLAC



Machine Type		MILLAC 44V	MILLAC 561V	MILLAC 761V
		Table Model		
GT 	200	☉P17	○	○
	250	☎	☉P19	○
	320	—	☎	☉P21
MR 	120	○	○	○
	160	○	○	○
	200	☉P17	○	○
	250	☎	☉P19	○
	320	—	☎	☉P21
TMX·TRX·TR 	160	○	○	○
	200	☉P18	○	○
	250	☎	☉P20	○
	320	—	☎	○
	400	—	—	☉P22
	500	—	—	☎
TT 	101	○	○	○
	120	☉P18	○	○
	140	☎	○	○
	182	☎	○	○
	251	—	☉P20	○
	321	—	☎	☉P22

Note 1 ☉ : Recommend ○ : Available ☎ : Contact us

Note 2 Other than these above, check on the Kitagawa NC Rotary Table catalogue.

Note 3 The drawings shown are only for reference.
Enquire separately for details and for particular specifications.



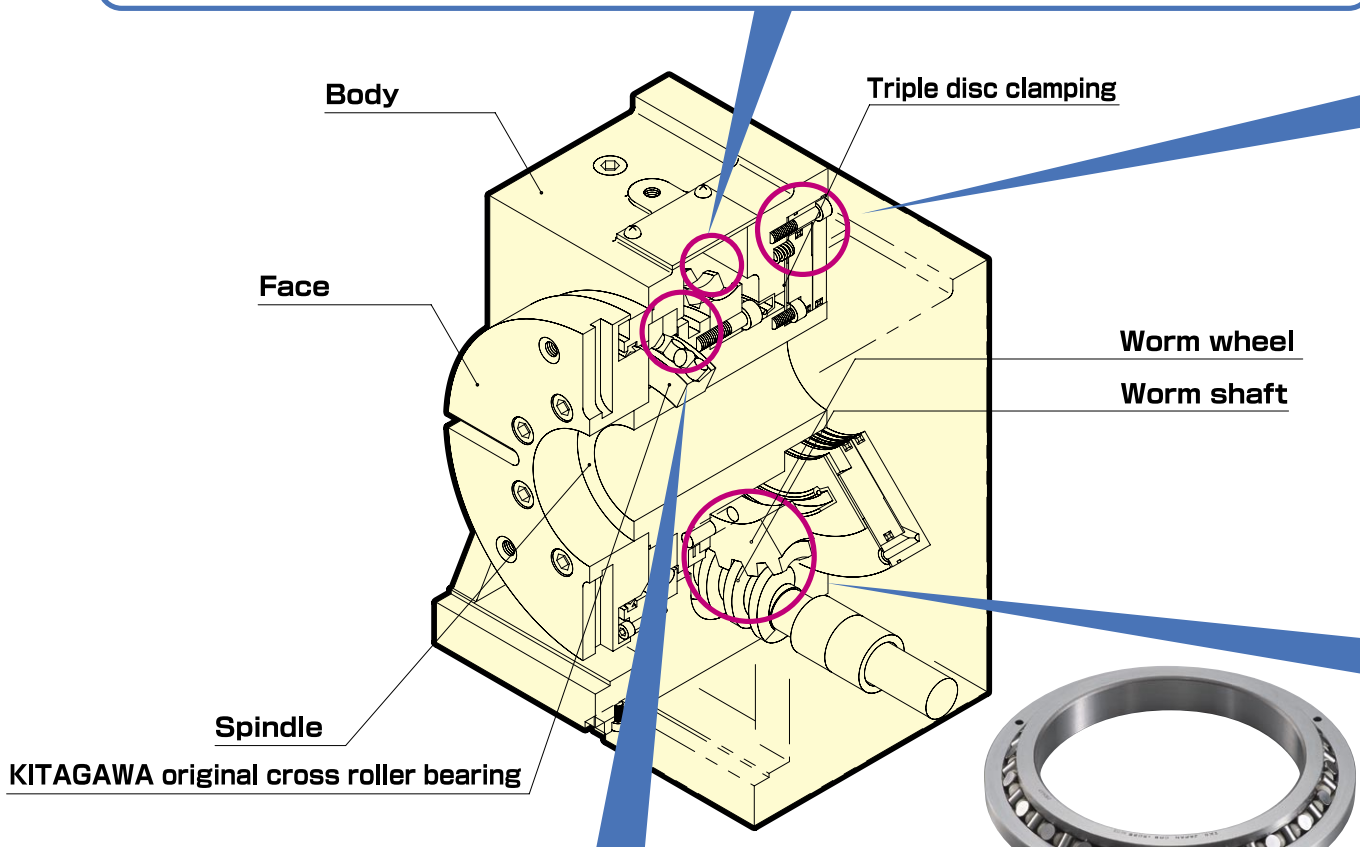
NC ROTARY TABLE

NC ROTARY TABLE FEATURES

Robust Clamping Torque, Superb Accuracy, and Optimum Rigidity. Most Advanced NC Rotary tables from Kitagawa.

Special Metal for Wear Resistance

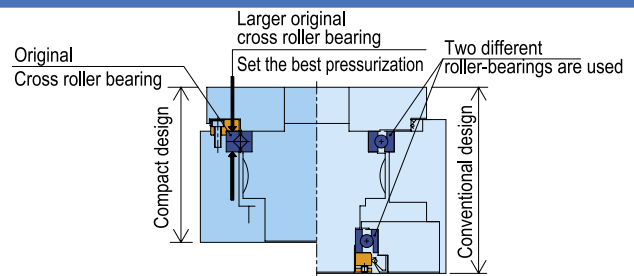
Special metal with hard-intermetallic compounds significantly increases wear resistance of the worm wheel compared to conventional model.



Kitagawa's Original Cross Roller Bearing - Proved performance over 20 years

Kitagawa's Original Cross Roller Bearing supporting the main spindle with an ideal pre-load assures superb accuracy and optimum rigidity.

Kitagawa's Original Cross Roller Bearing has made body design the most compact in its class.

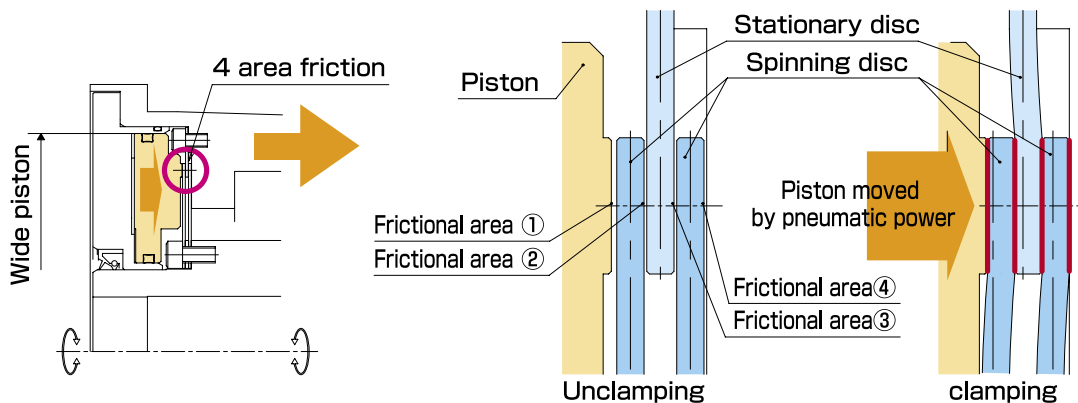
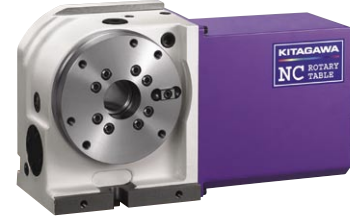


KITAGAWA original cross roller bearing ← → Rolling bearing combination

Robust Triple Disc Brake System

● Triple disc brake system

Four independent friction surfaces of the pneumatic Triple Disc Brake System achieves the highest clamping torque in its class, which outperforms hydraulic clamping system in a similar design.

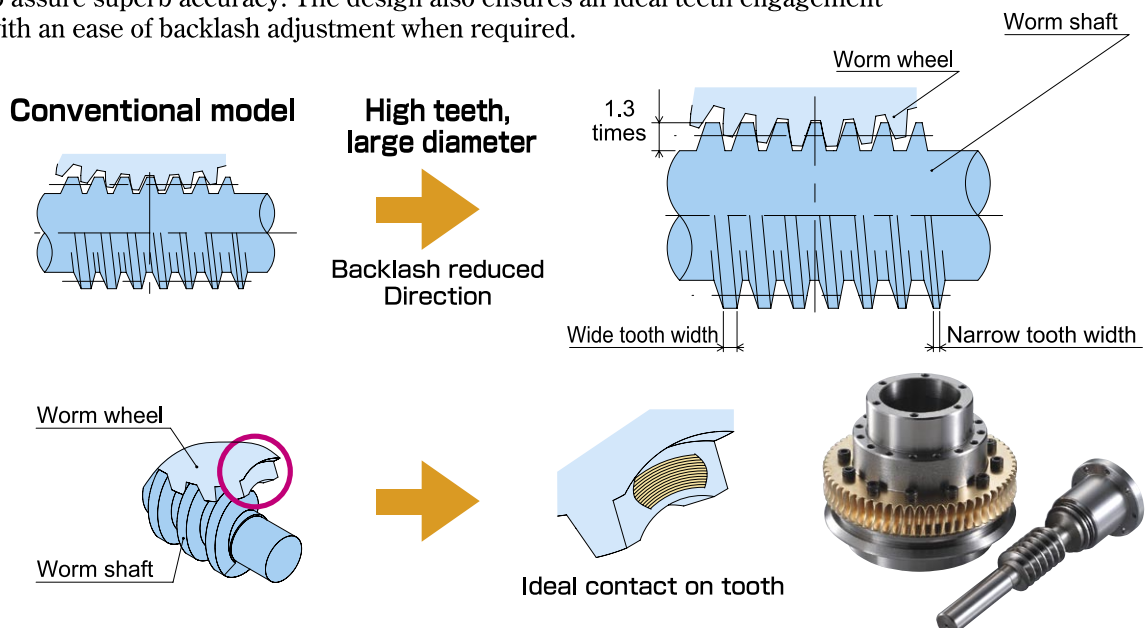


The Largest Module Worm Gears with the Deepest Teeth Design assures optimum strength and rigidity in its class

Kitagawa's advanced Worm Gear design minimizes pressure on the teeth resulting in superb accuracy, improvement of wear resistance and driving torque.

Double-Lead Worm Gear

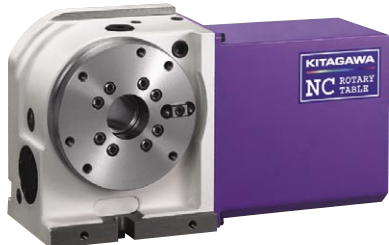
Kitagawa's Double-Lead Worm Gears are hobbled after shrink-fitted and bolted on the main spindle to assure superb accuracy. The design also ensures an ideal teeth engagement with an ease of backlash adjustment when required.





Vertical Machining Centers ACE CENTER MB-46VA/B

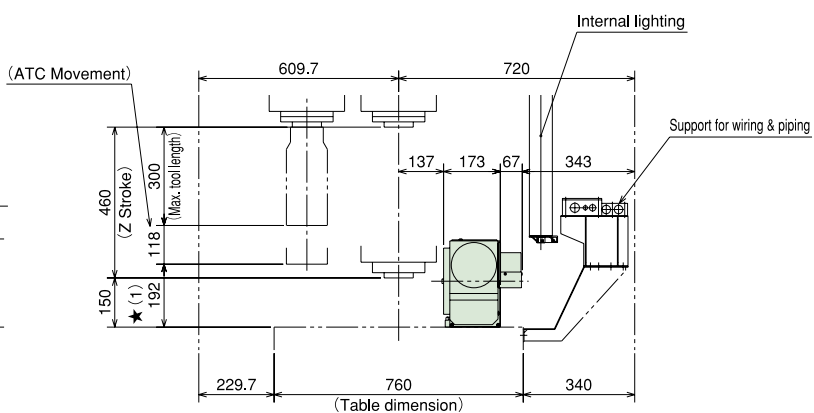
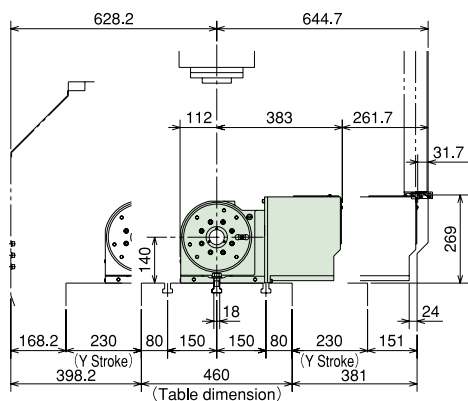
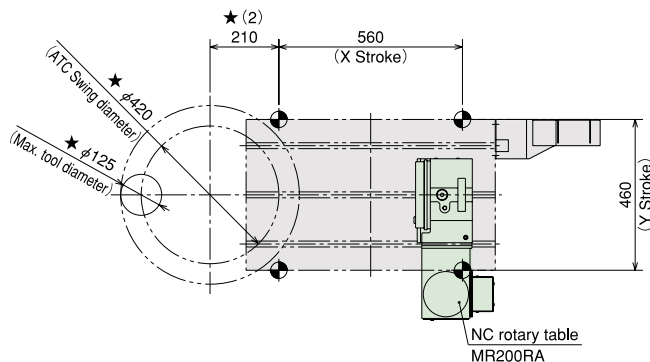
MR200RA***



CAUTION

VB (#50) Type has
5★marked different dimension

B Type	
ATC Swing diameter	φ440
Max. tool diameter	φ152
ATC Movement	170
Others (1)	140
Others (2)	220



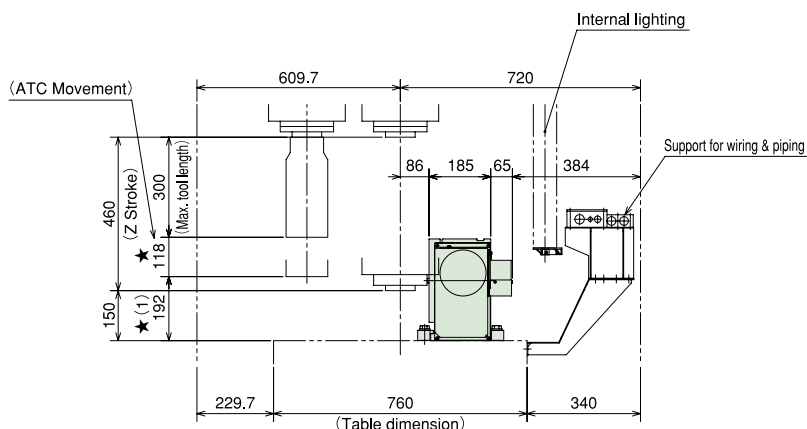
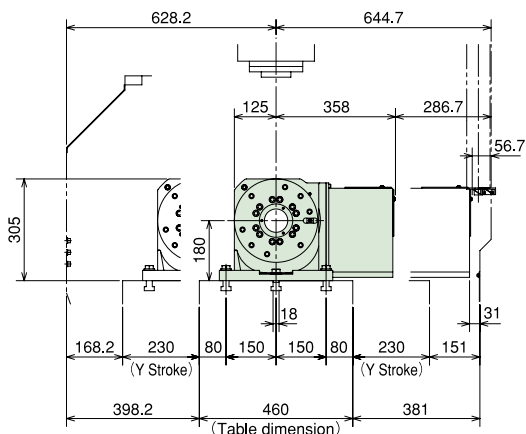
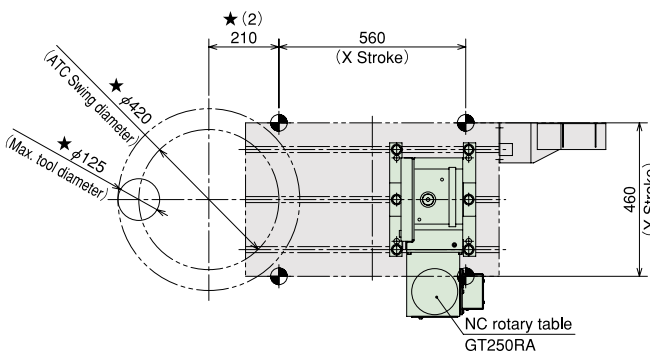
GT250RA***



CAUTION

VB (#50) Type has
5★marked different dimension

B Type	
ATC Swing diameter	φ440
Max. tool diameter	φ152
ATC Movement	170
Others (1)	140
Others (2)	220





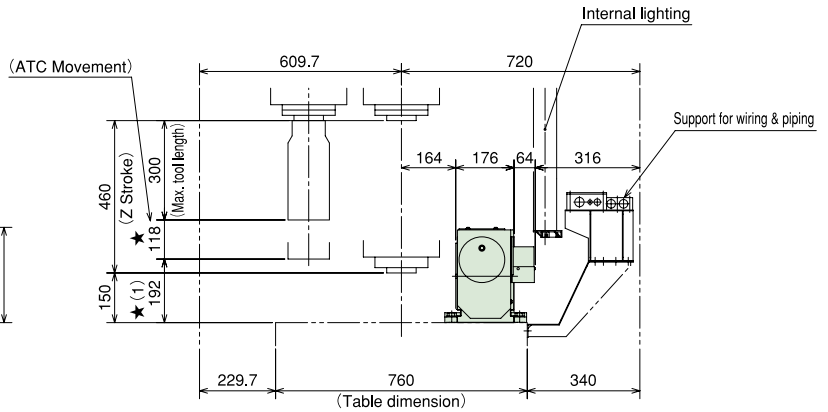
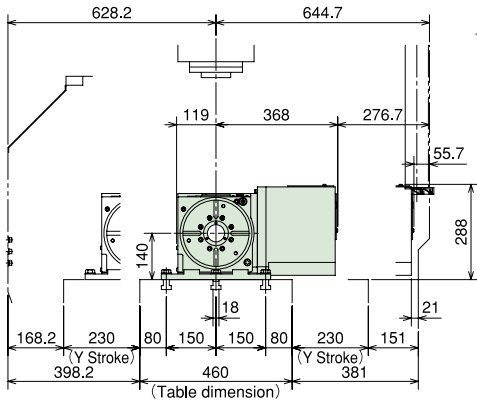
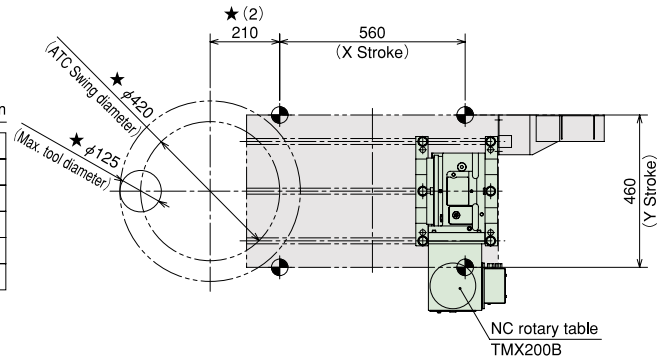
TMX200B***



CAUTION

VB (#50) Type has 5★marked different dimension

B Type	
ATC Swing diameter	φ440
Max. tool diameter	φ152
ATC Movement	170
Others (1)	140
Others (2)	220



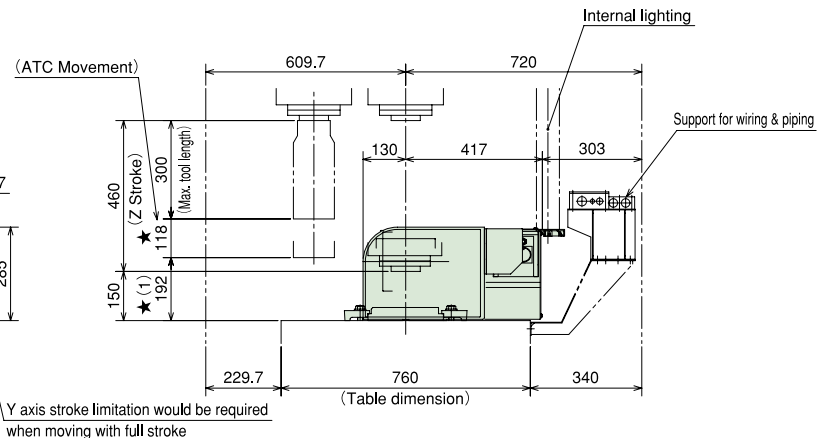
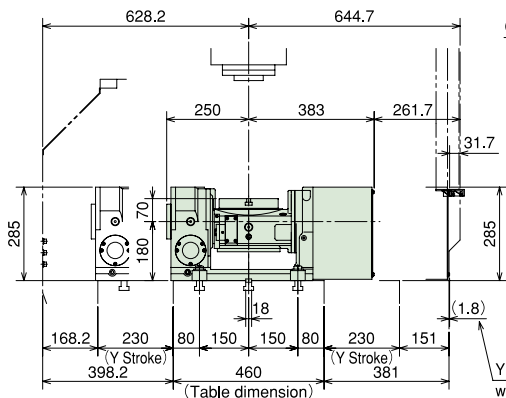
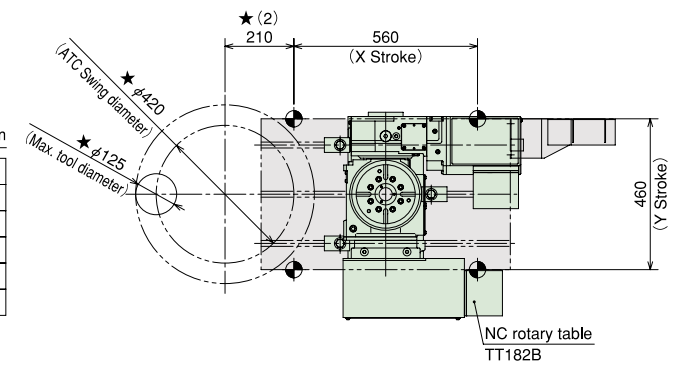
TT182B***



CAUTION

VB (#50) Type has 5★marked different dimension

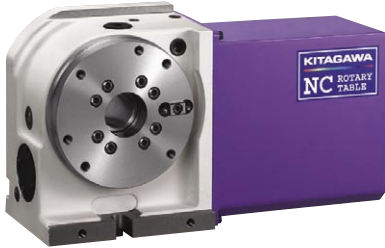
B Type	
ATC Swing diameter	φ440
Max. tool diameter	φ152
ATC Movement	170
Others (1)	140
Others (2)	220





Vertical Machining Centers ACE CENTER MB-46VAE/BE

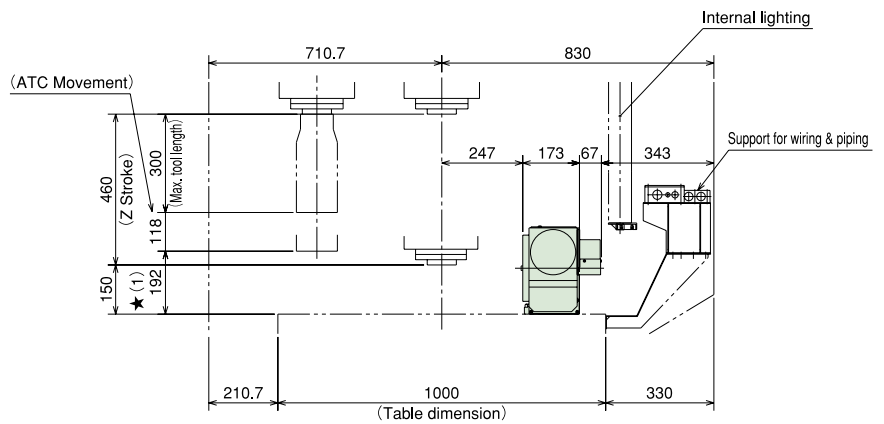
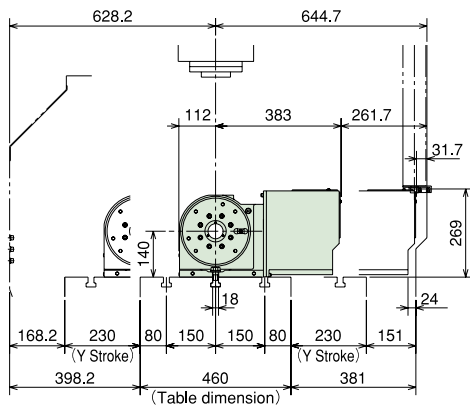
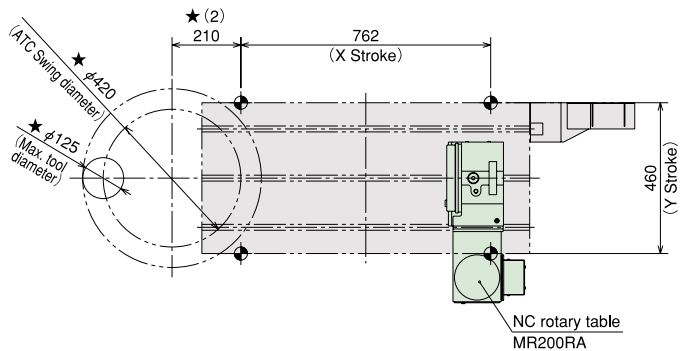
MR200RA***



CAUTION

VB (#50) Type has
5★marked different dimension

B Type	
ATC Swing diameter	φ440
Max. tool diameter	φ152
ATC Movement	170
Others (1)	140
Others (2)	220



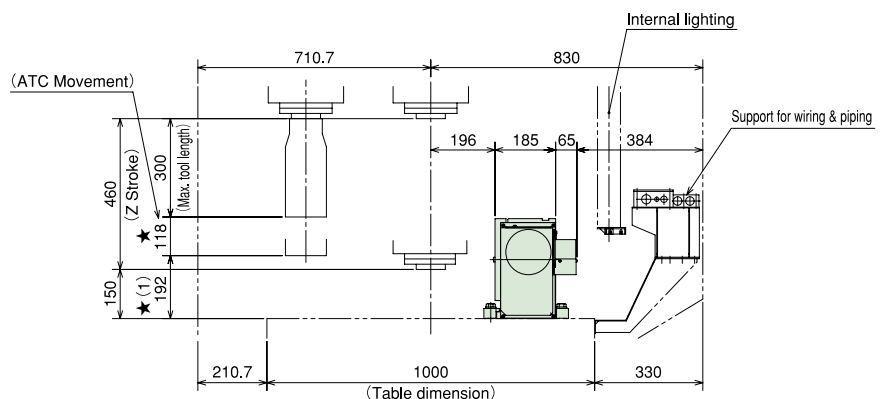
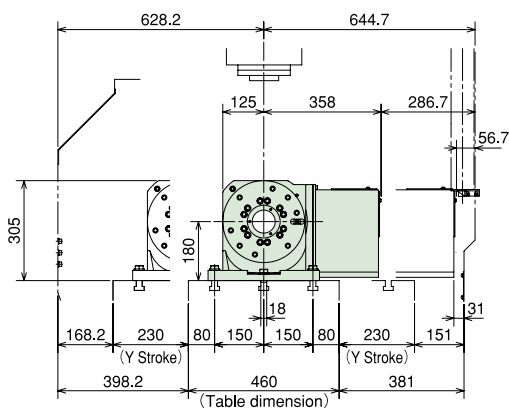
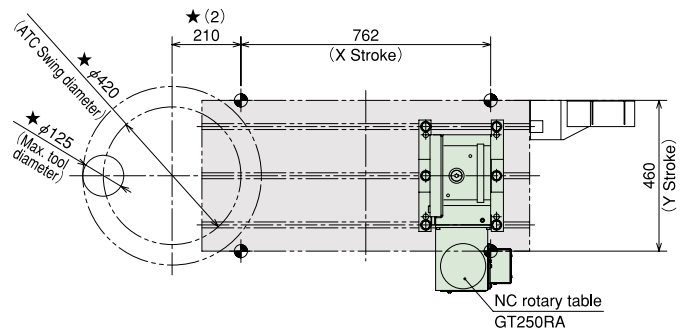
GT250RA***



CAUTION

VB (#50) Type has
5★marked different dimension

B Type	
ATC Swing diameter	φ440
Max. tool diameter	φ152
ATC Movement	170
Others (1)	140
Others (2)	220





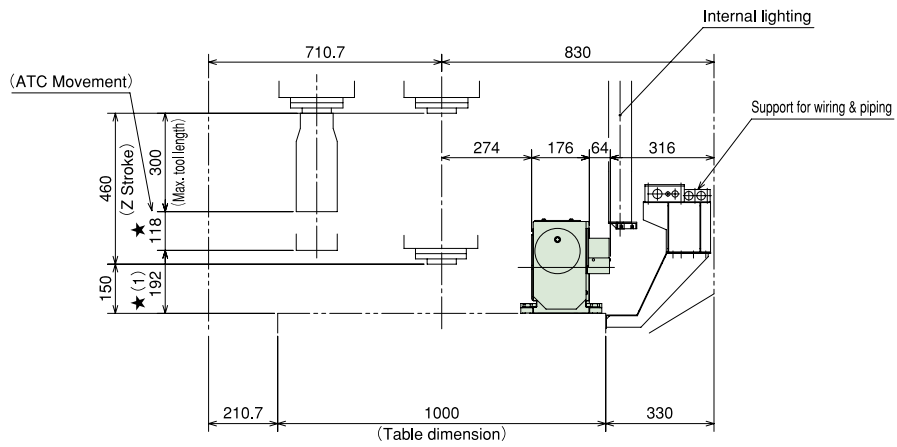
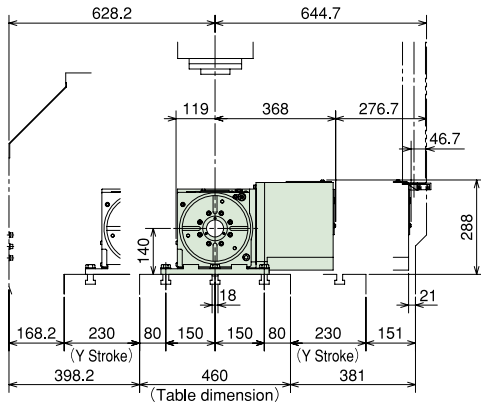
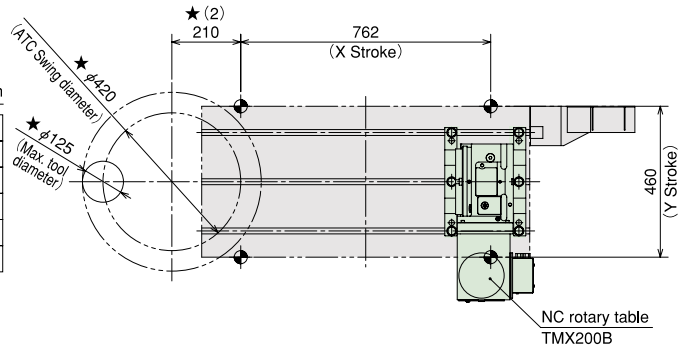
TMX200B***



CAUTION

VB (#50) Type has
5★marked different dimension

B Type	
ATC Swing diameter	φ440
Max. tool diameter	φ152
ATC Movement	170
Others (1)	140
Others (2)	220



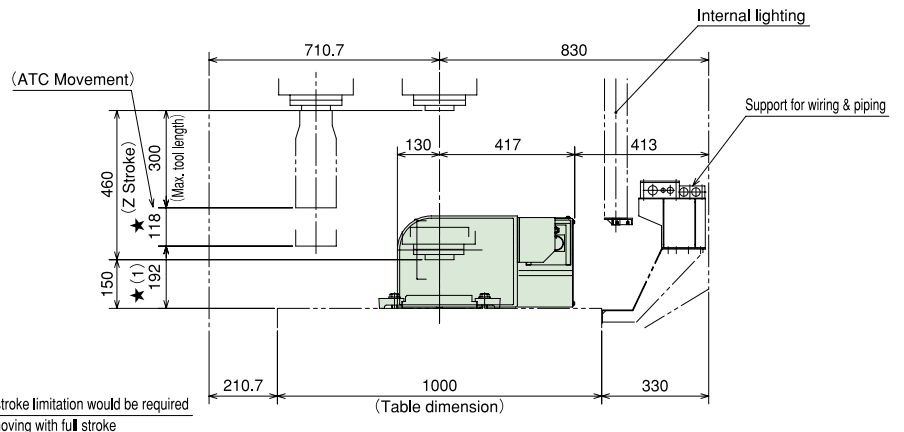
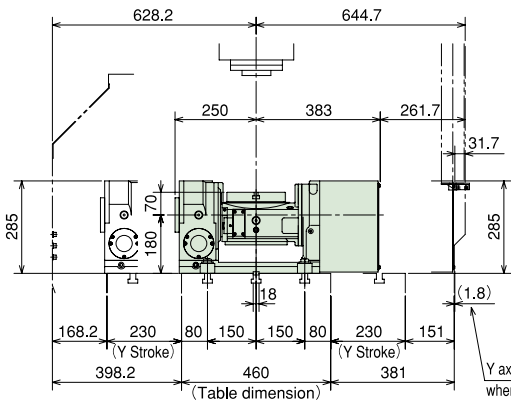
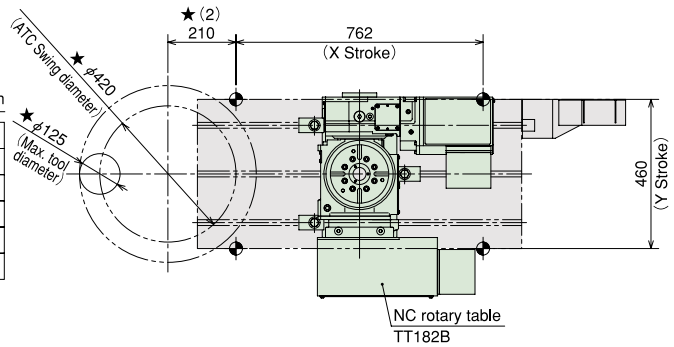
TT182B***



CAUTION

VB (#50) Type has
5★marked different dimension

B Type	
ATC Swing diameter	φ440
Max. tool diameter	φ152
ATC Movement	170
Others (1)	140
Others (2)	220

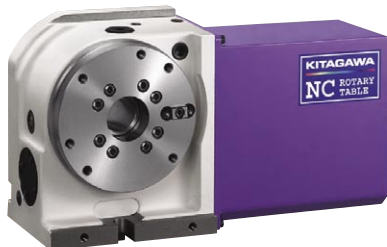


Y axis stroke limitation would be required when moving with full stroke



Vertical Machining Centers ACE CENTER MB-56VA/B

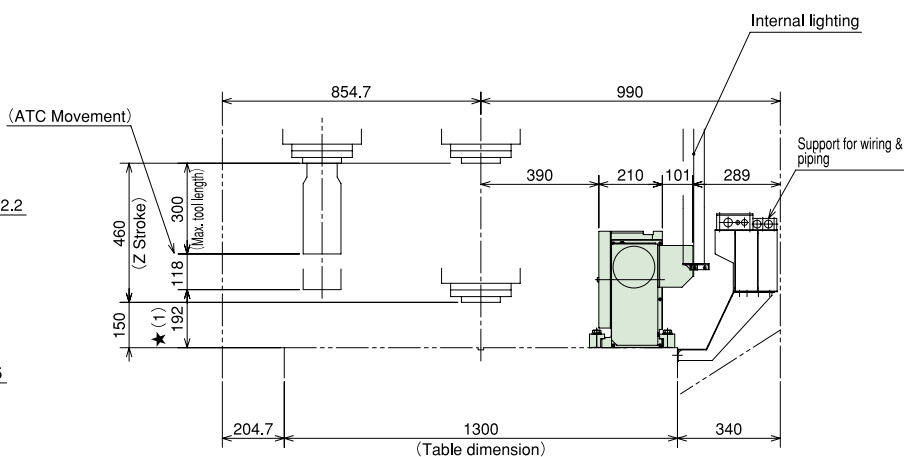
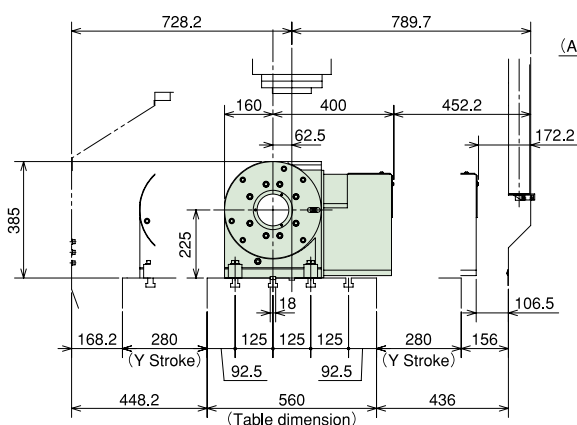
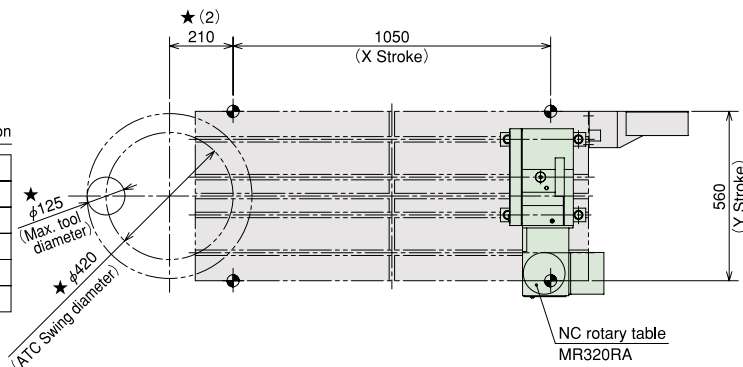
MR320RA***



CAUTION

VB (#50) Type has
5★marked different dimension

B Type	
ATC Swing diameter	φ440
Max. tool diameter	φ152
ATC Movement	170
Others (1)	140
Others (2)	220



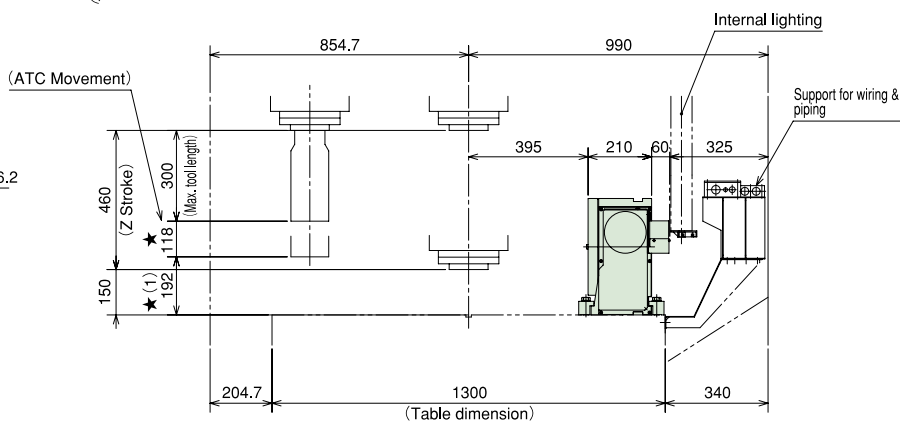
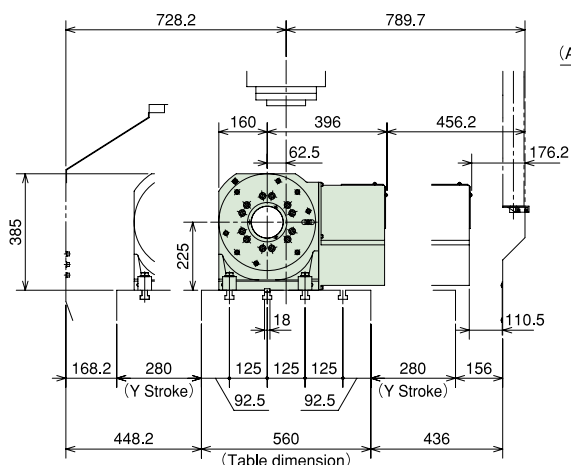
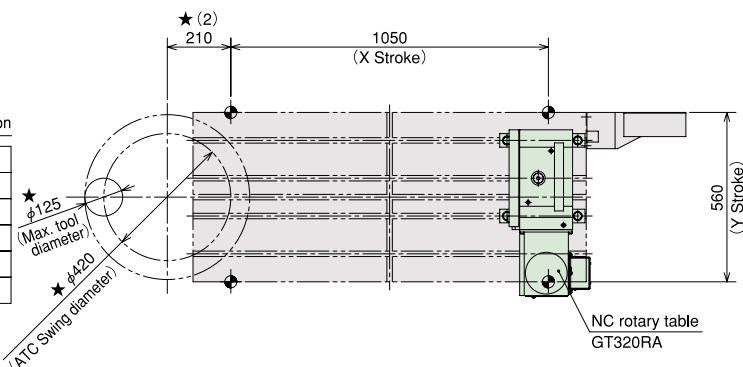
GT320RA***



CAUTION

VB (#50) Type has
5★marked different dimension

B Type	
ATC Swing diameter	φ440
Max. tool diameter	φ152
ATC Movement	170
Others (1)	140
Others (2)	220





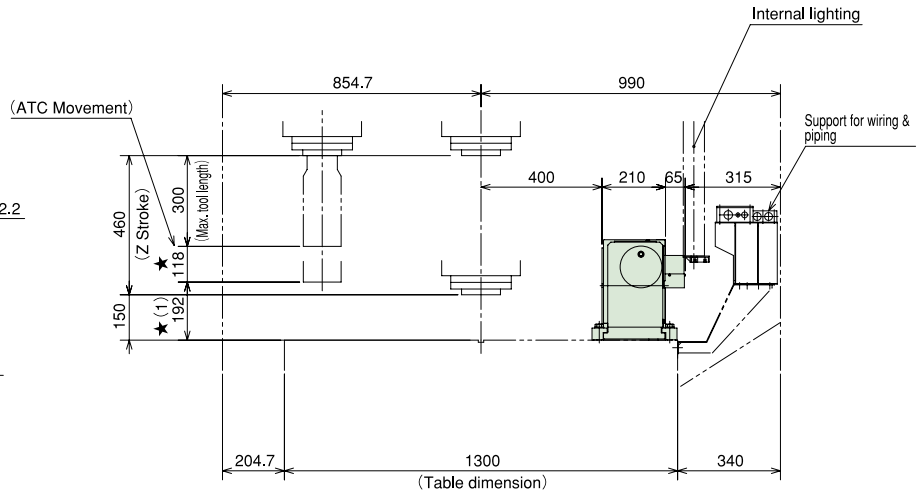
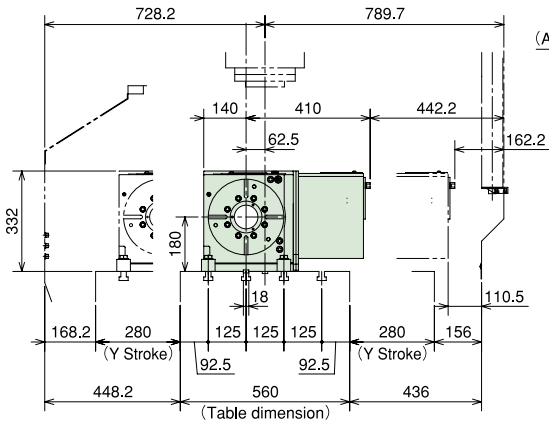
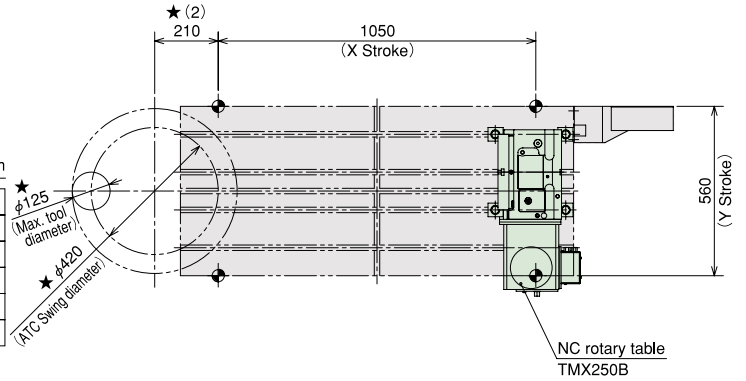
TMX250B***



CAUTION

VB (#50) Type has 5★marked different dimension

B Type	
ATC Swing diameter	φ440
Max. tool diameter	φ152
ATC Movement	170
Others (1)	140
Others (2)	220



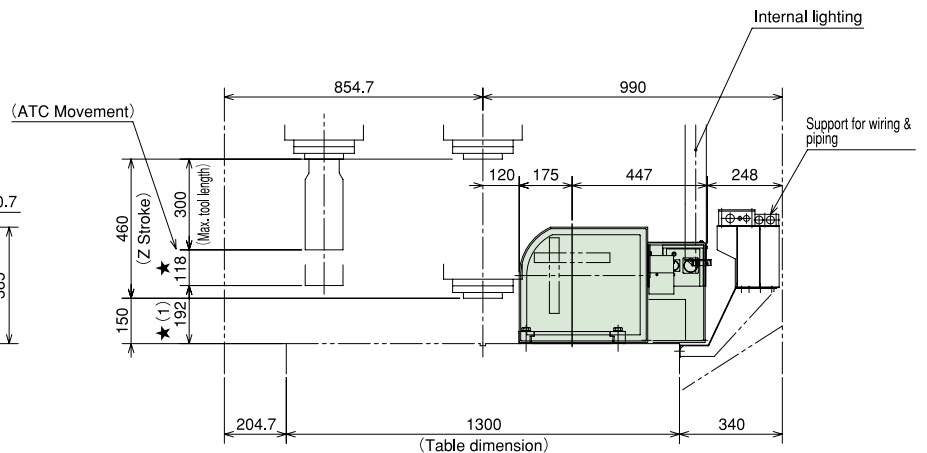
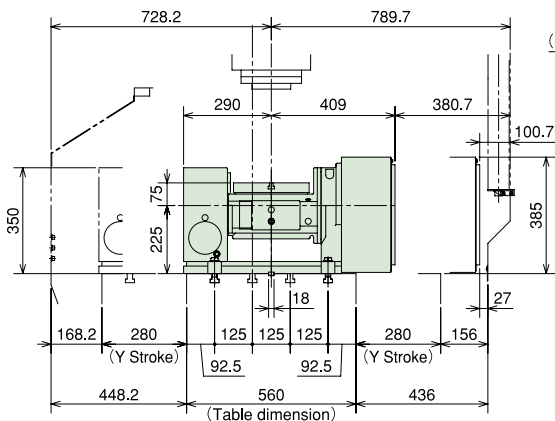
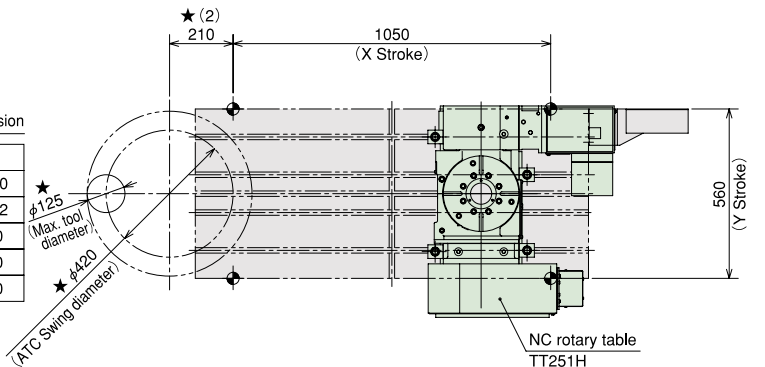
TT251H****



CAUTION

VB (#50) Type has 5★marked different dimension

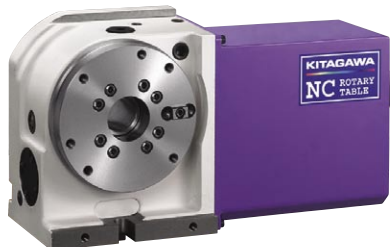
B Type	
ATC Swing diameter	φ440
Max. tool diameter	φ152
ATC Movement	170
Others (1)	140
Others (2)	220





Vertical Machining Centers ACE CENTER MB-66VA/B

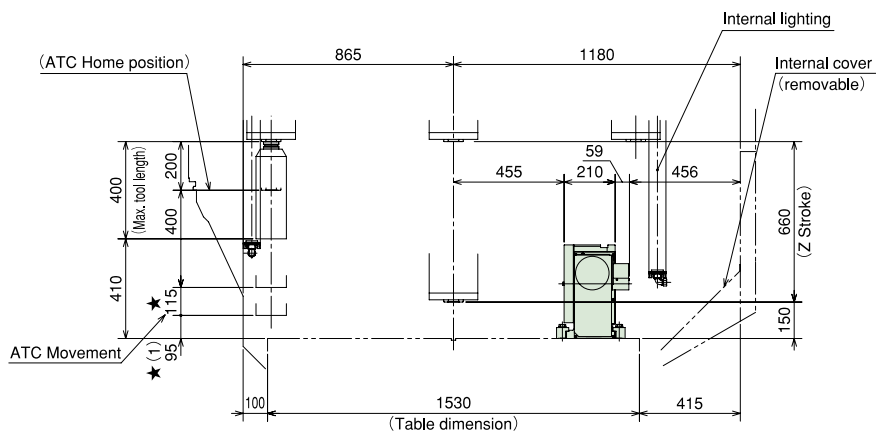
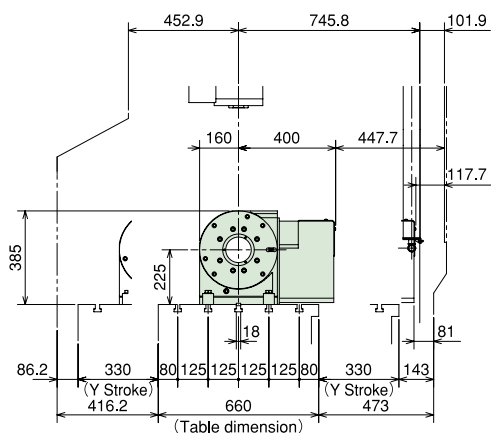
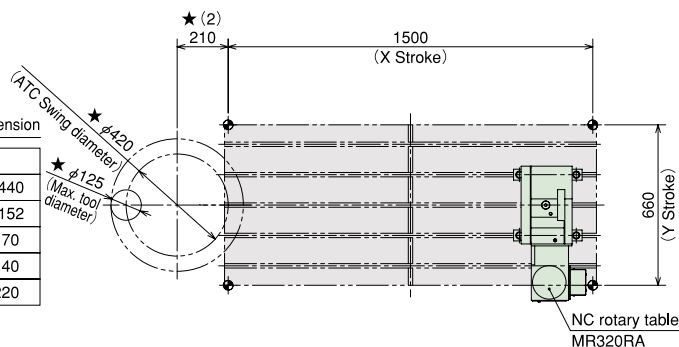
MR320RA***



CAUTION

VB (#50) Type has
5★marked different dimension

B Type	
ATC Swing diameter	φ440
Max. tool diameter	φ152
ATC Movement	170
Others (1)	140
Others (2)	220



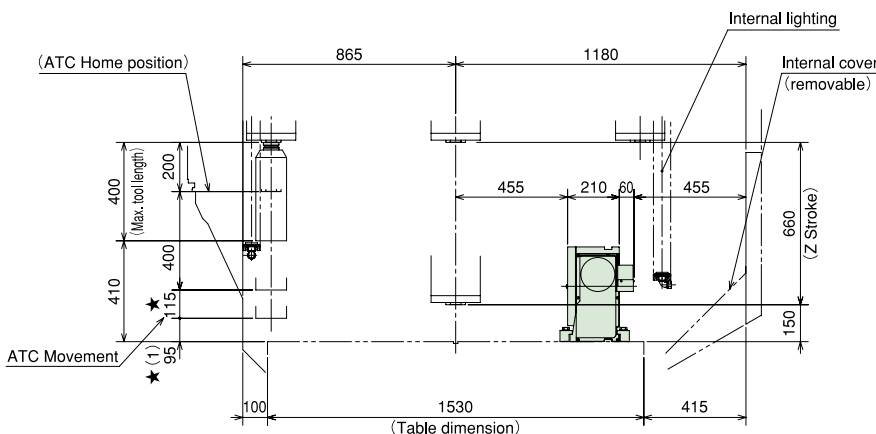
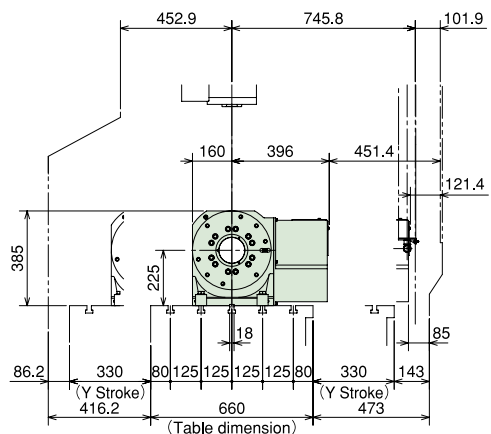
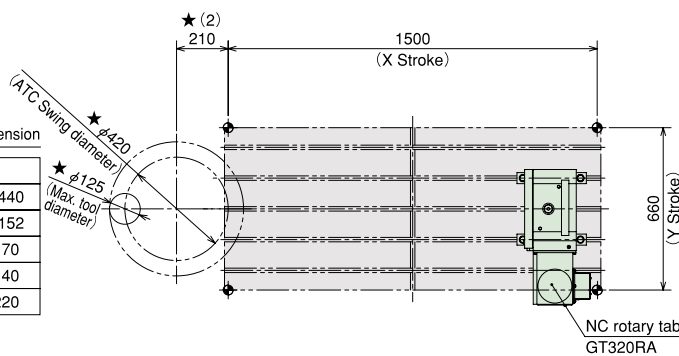
GT320RA***



CAUTION

VB (#50) Type has
5★marked different dimension

B Type	
ATC Swing diameter	φ440
Max. tool diameter	φ152
ATC Movement	170
Others (1)	140
Others (2)	220





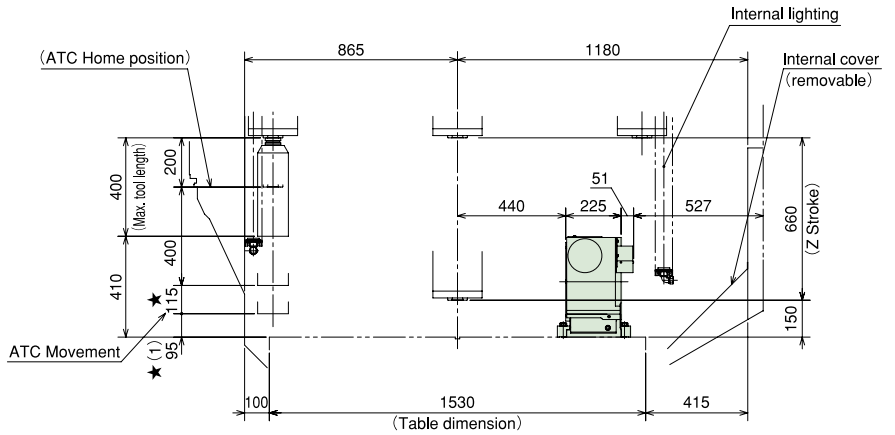
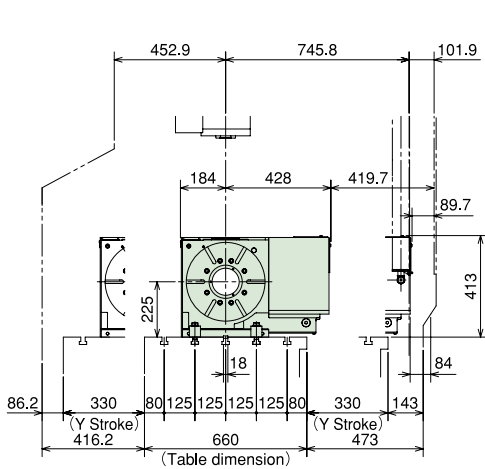
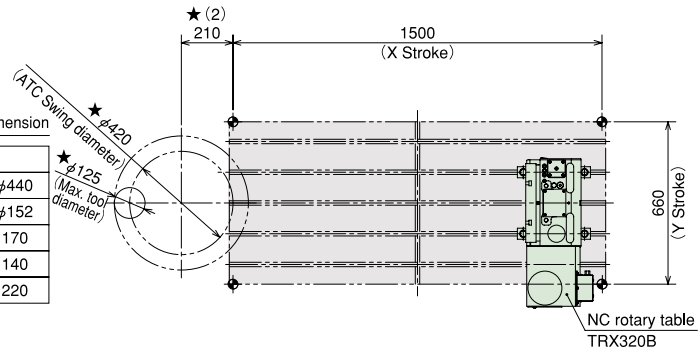
TRX320B***



CAUTION

VB (#50) Type has 5★marked different dimension

B Type	
ATC Swing diameter	φ440
Max. tool diameter	φ152
ATC Movement	170
Others (1)	140
Others (2)	220



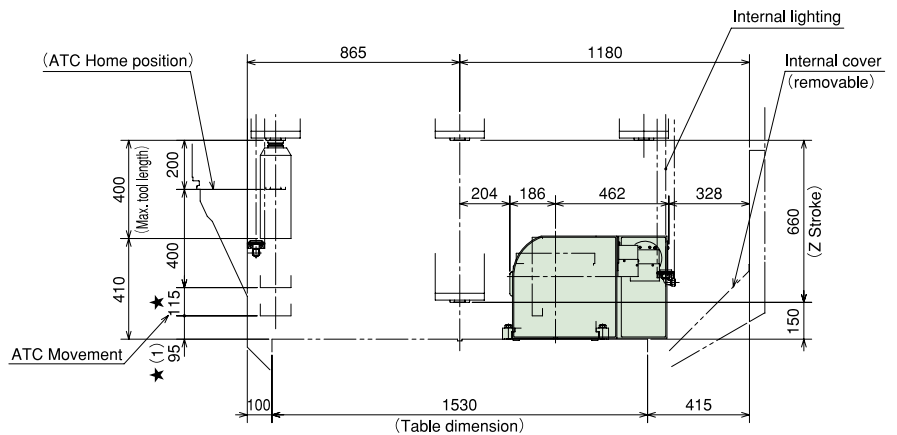
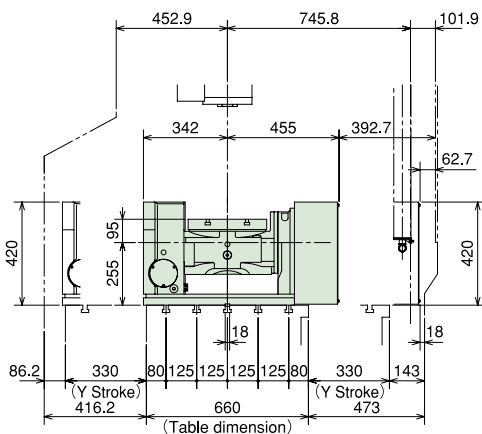
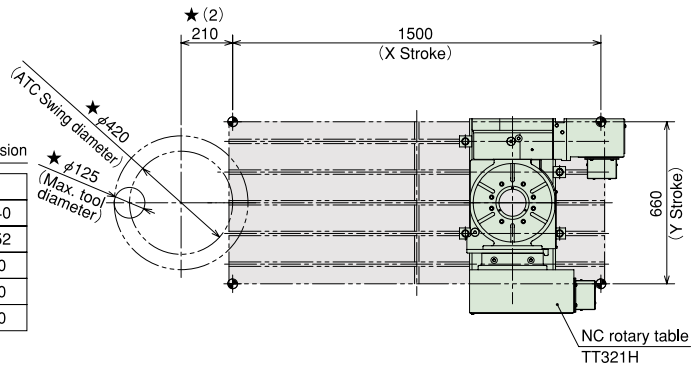
TT321H****



CAUTION

VB (#50) Type has 5★marked different dimension

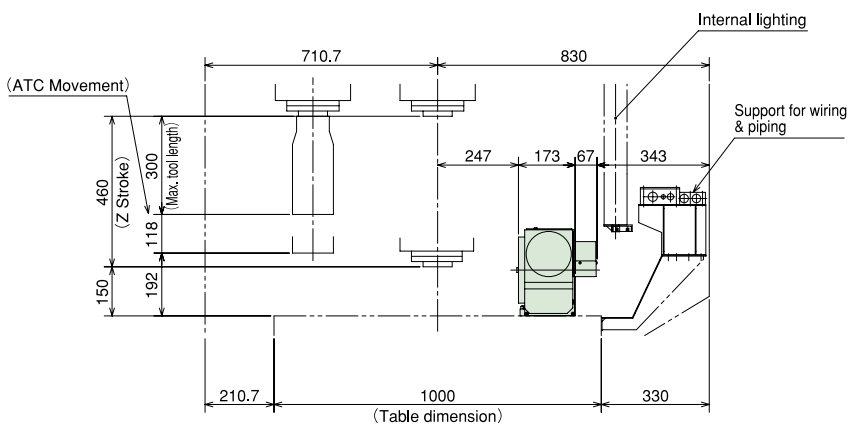
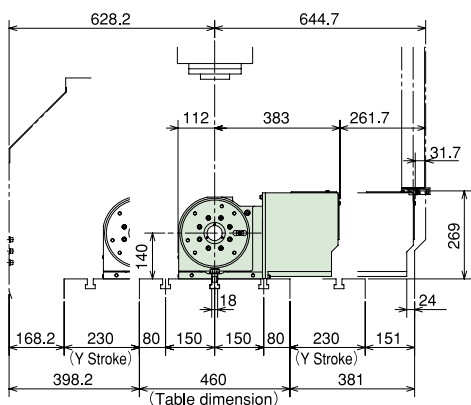
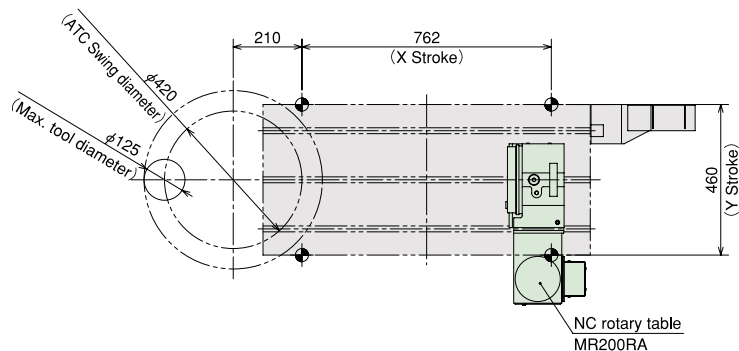
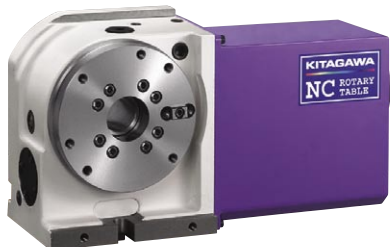
B Type	
ATC Swing diameter	φ440
Max. tool diameter	φ152
ATC Movement	170
Others (1)	140
Others (2)	220



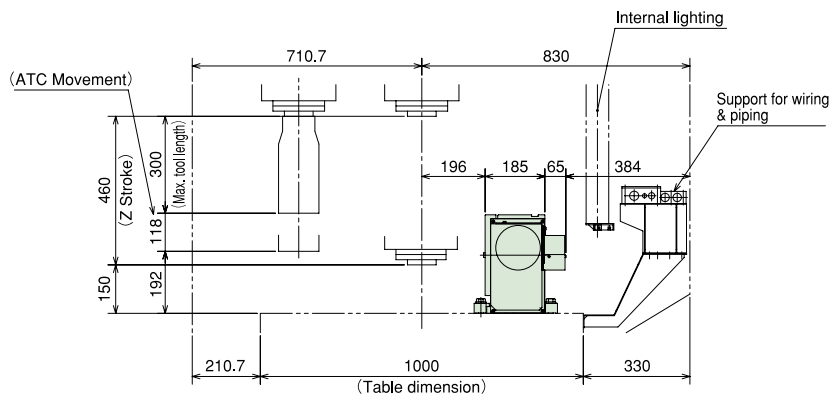
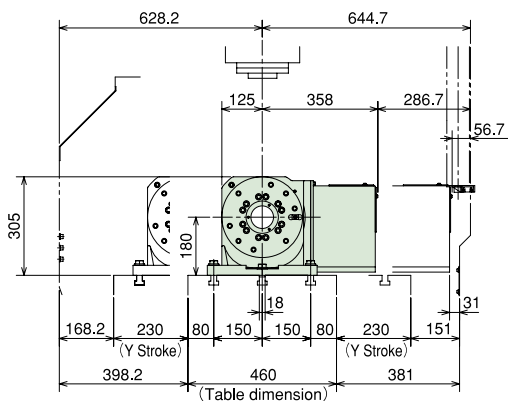
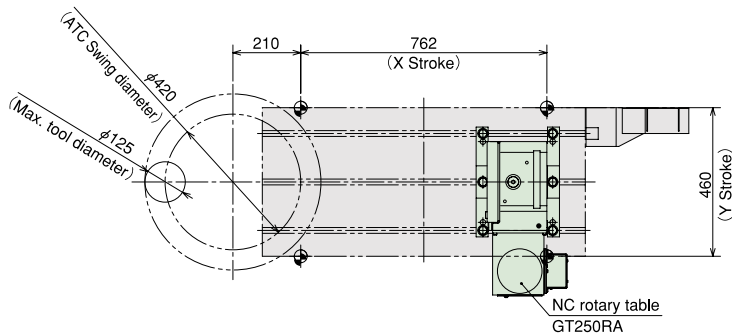


Vertical Machining Centers GENOS M460-VE

MR200RA***

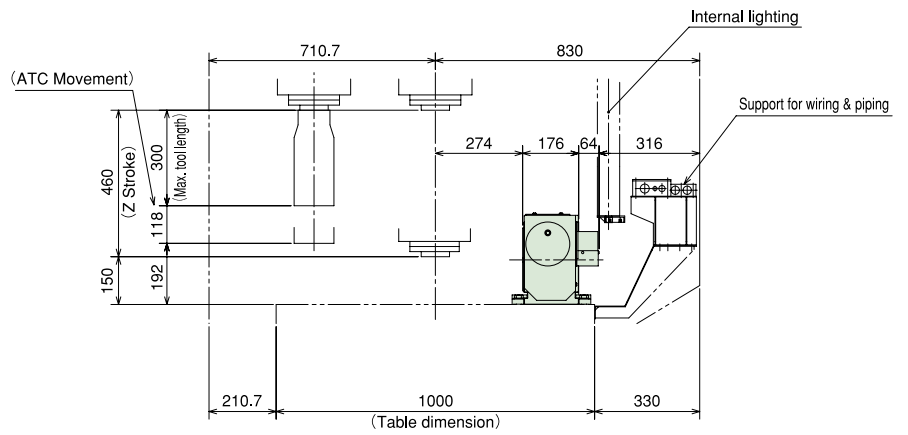
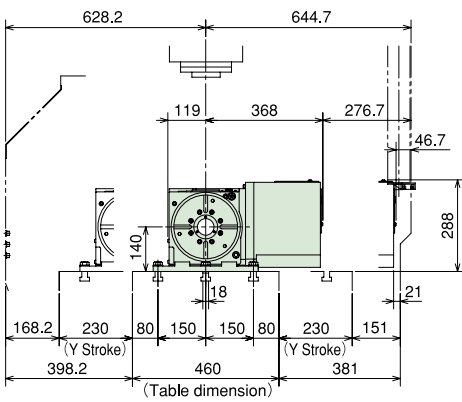
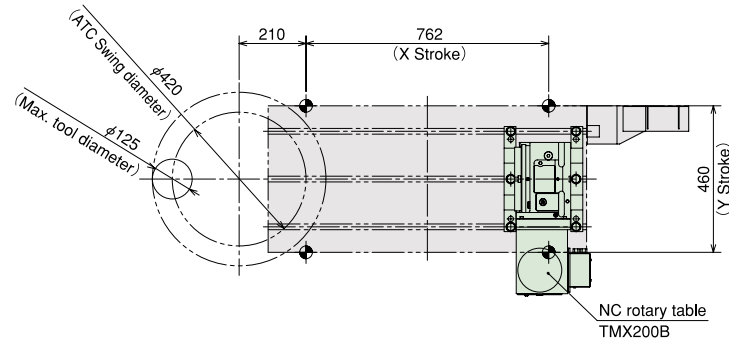


GT250RA***

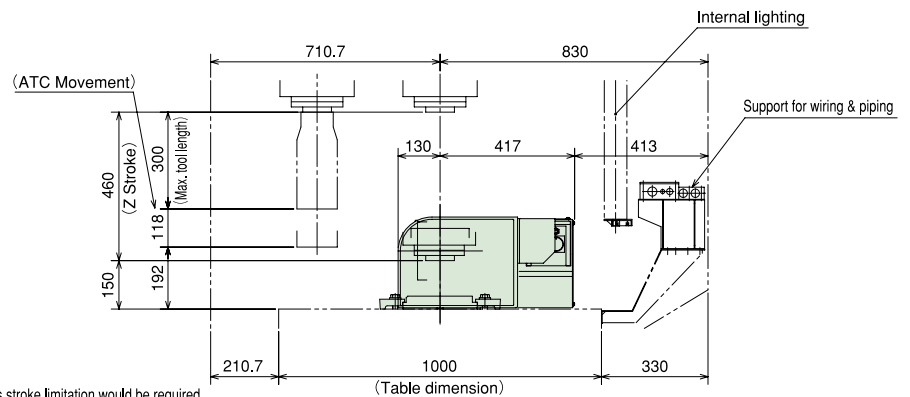
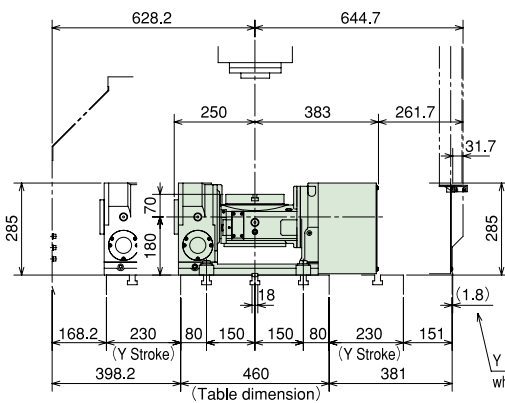
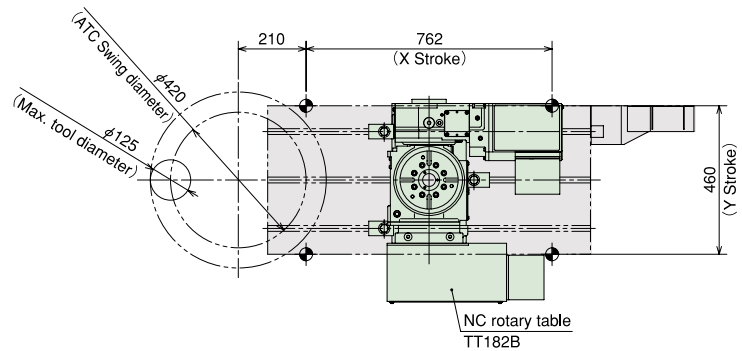




TMX200B***



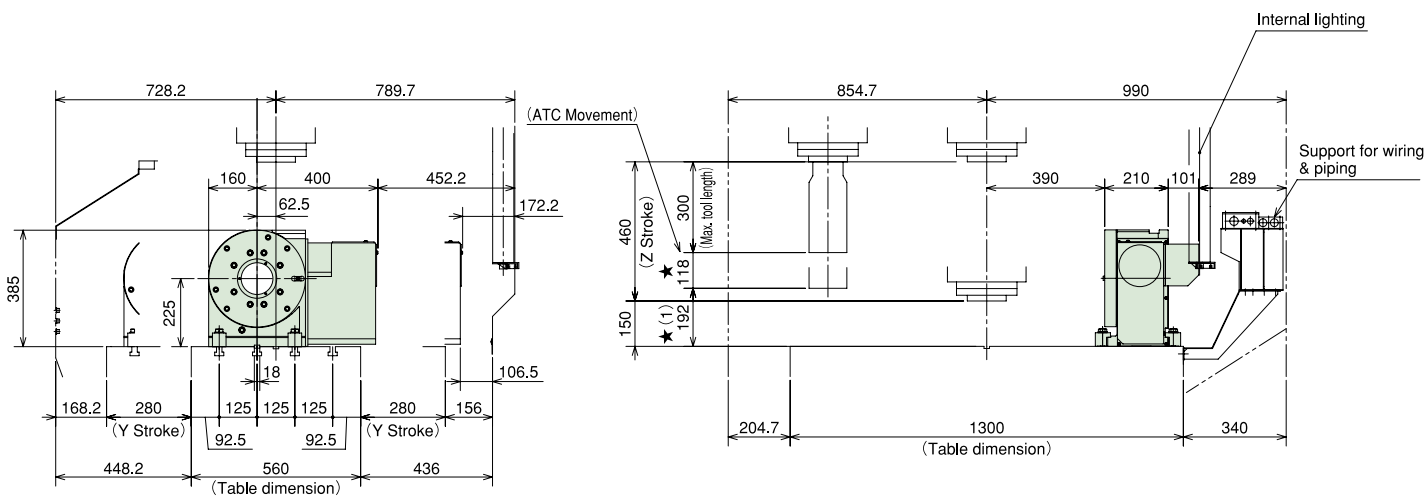
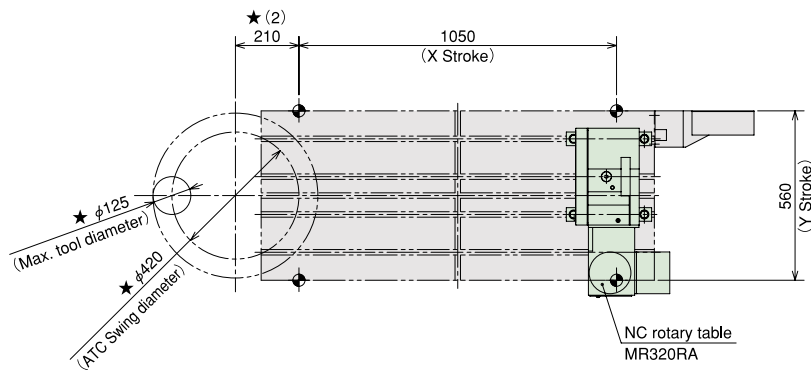
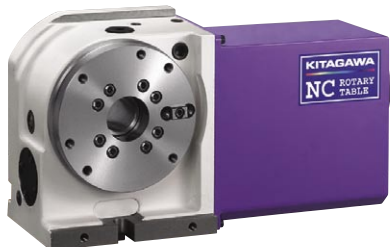
TT182B***



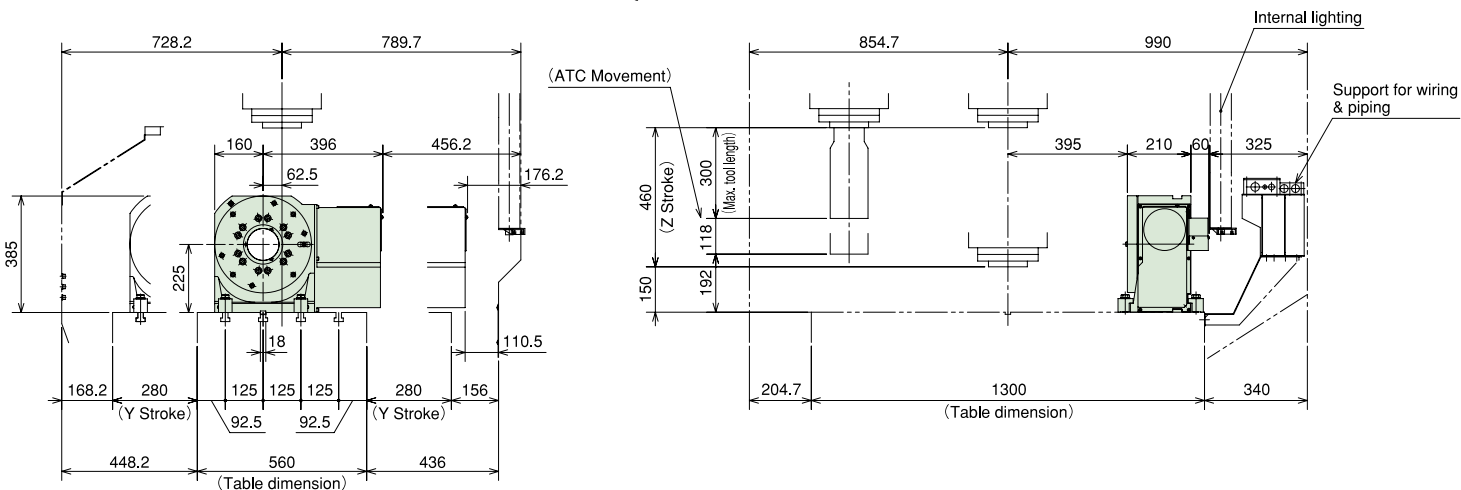
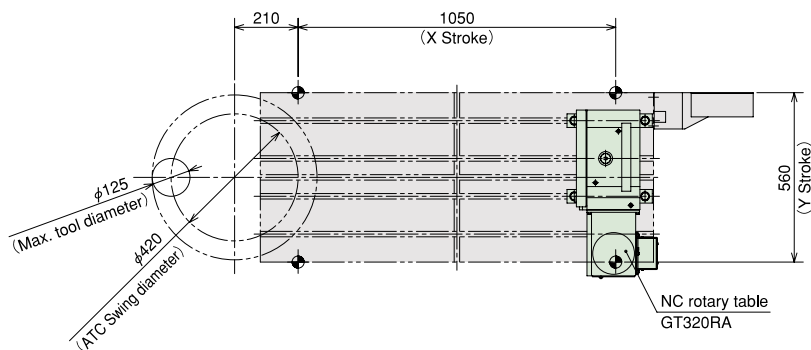


Vertical Machining Centers GENOS M560-V

MR320RA***

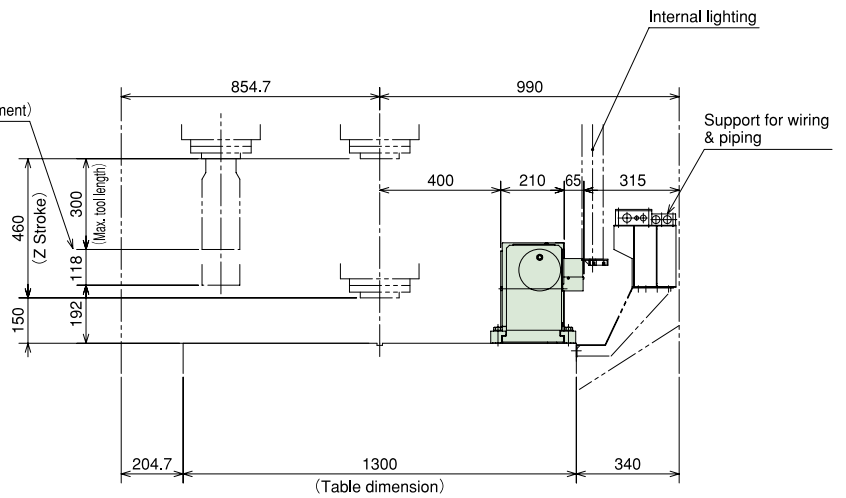
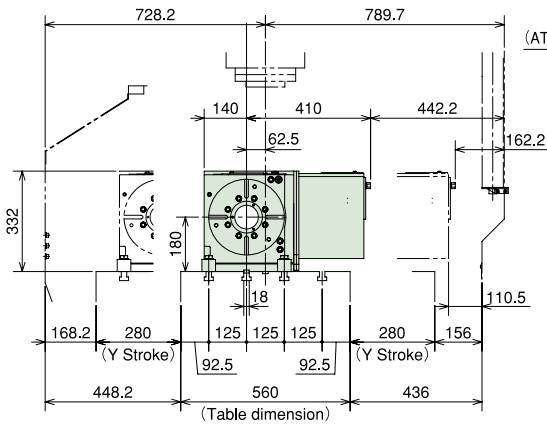
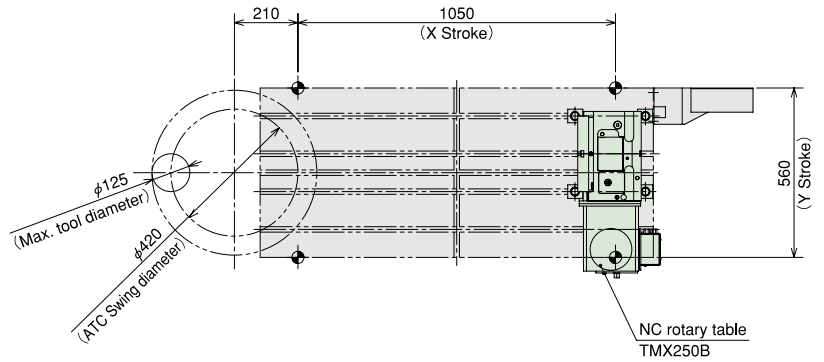


GT320RA***

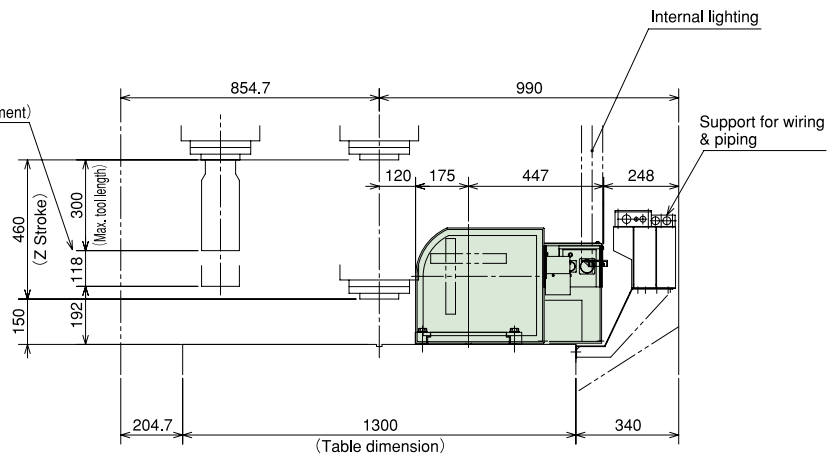
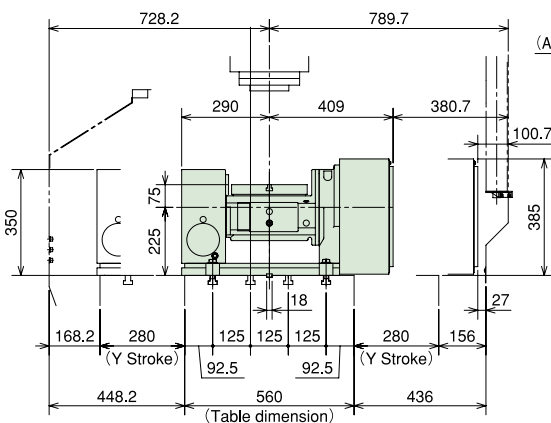
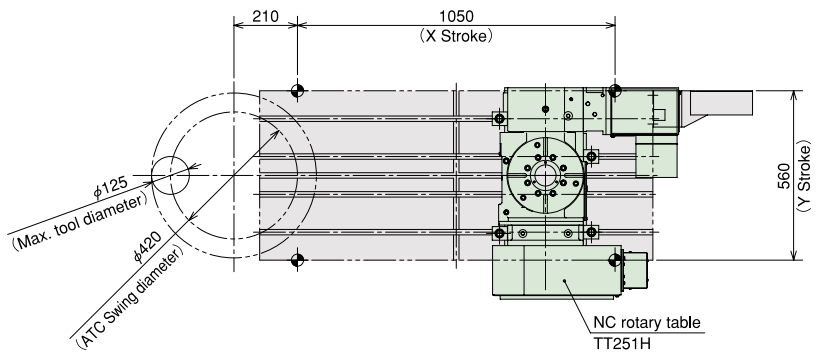




TMX250B***



TT251H***

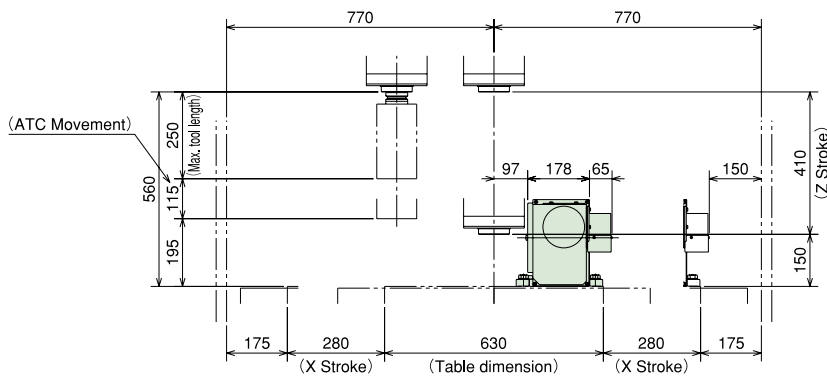
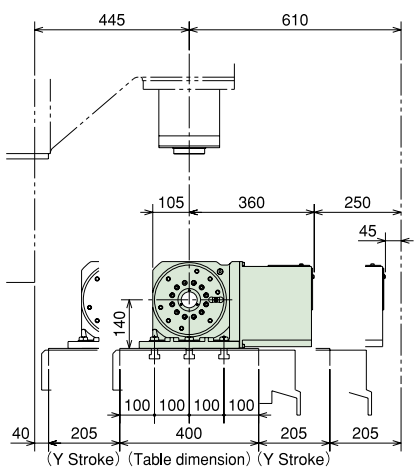
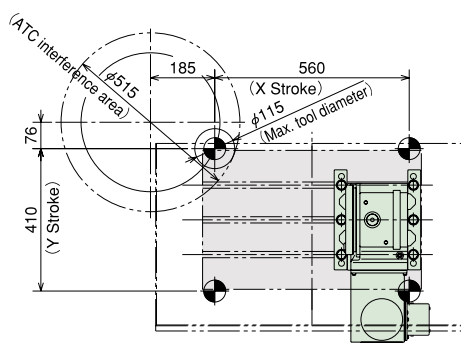




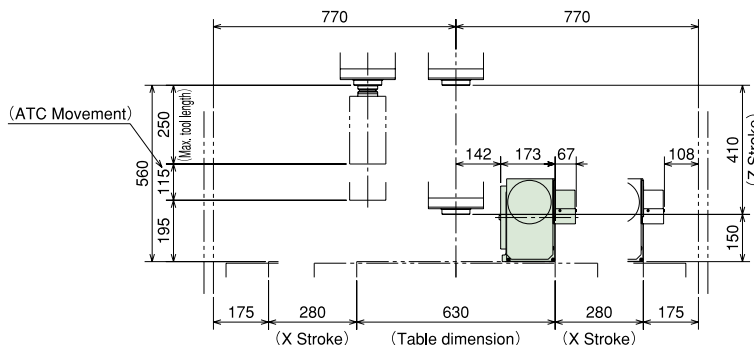
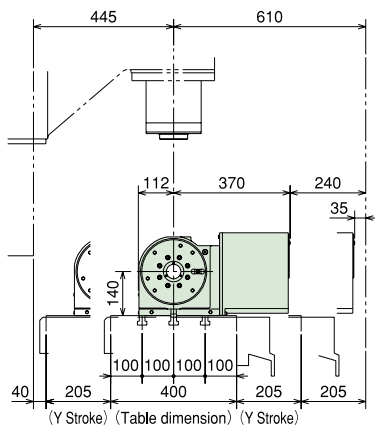
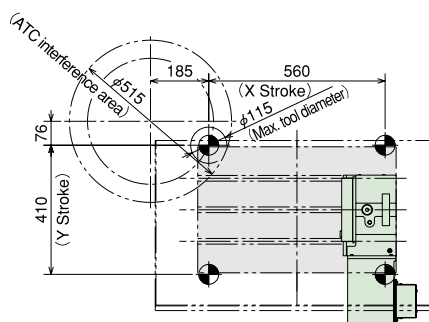
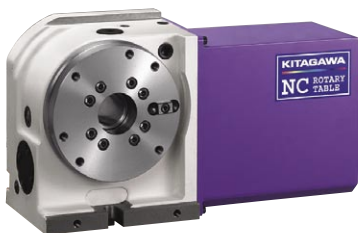
Vertical Machining Centers

MILLAC Series MILLAC 44V

GT200RA***

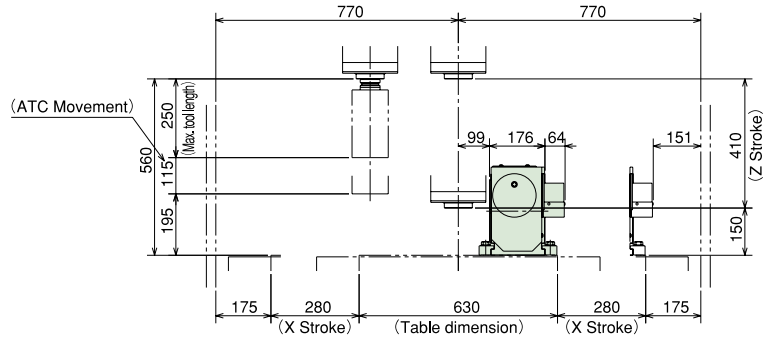
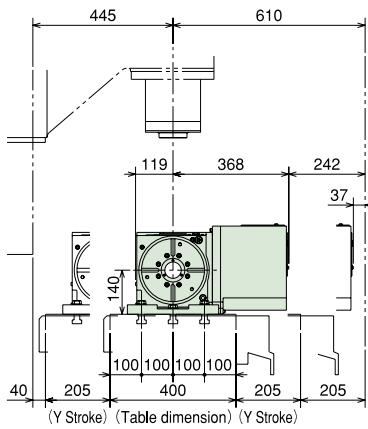
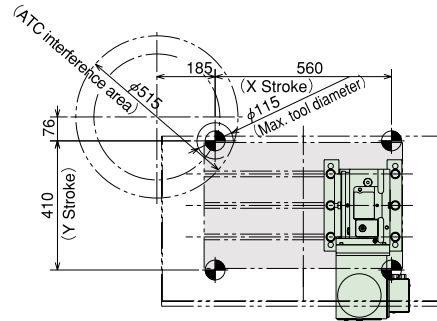


MR200RA***

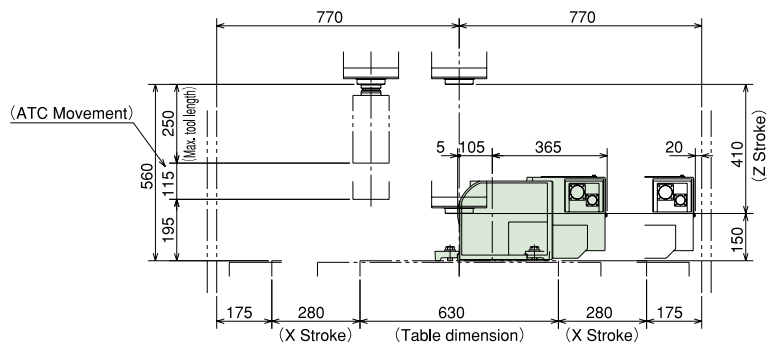
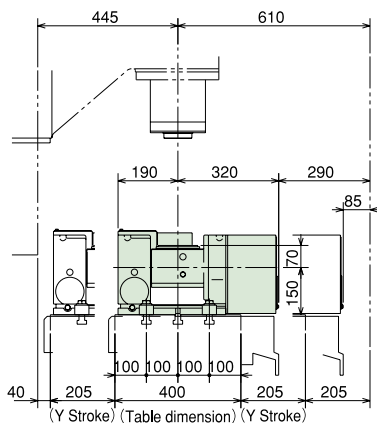
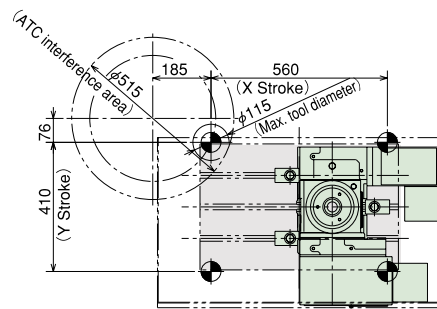




TMX200B***



TT120A****

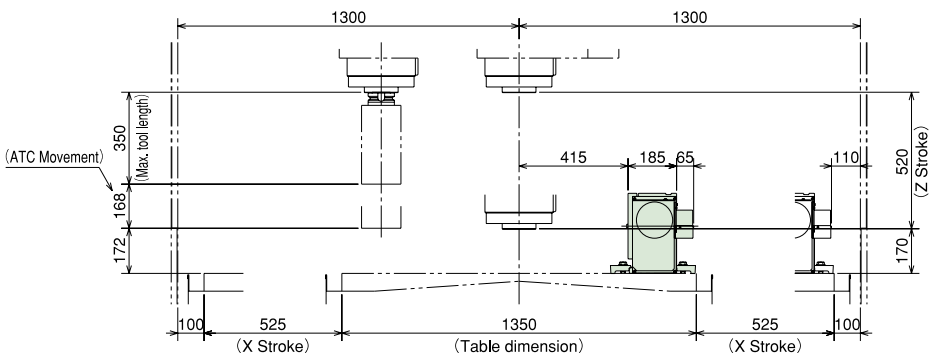
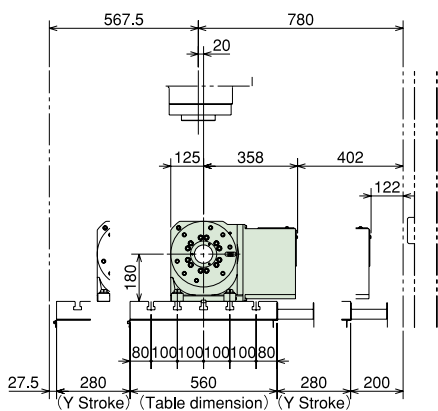
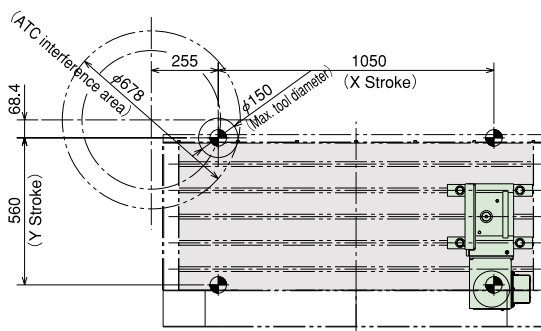




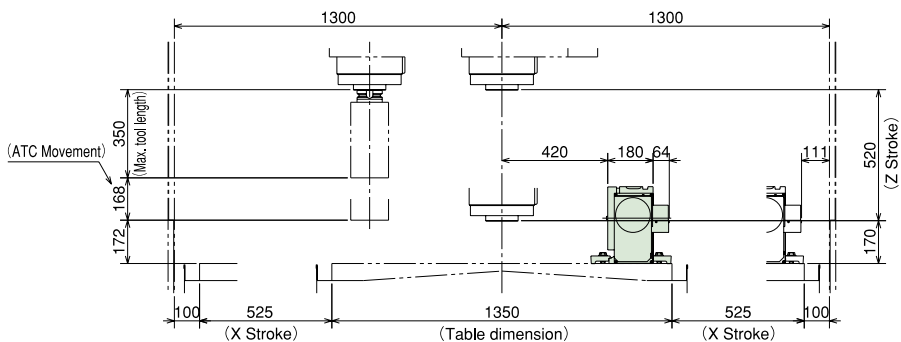
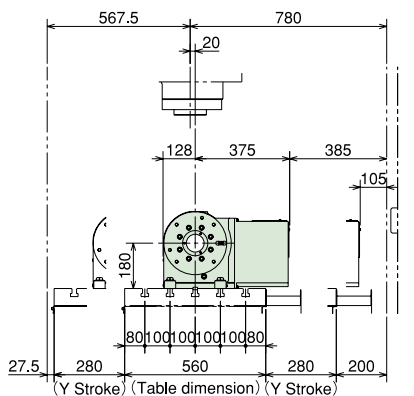
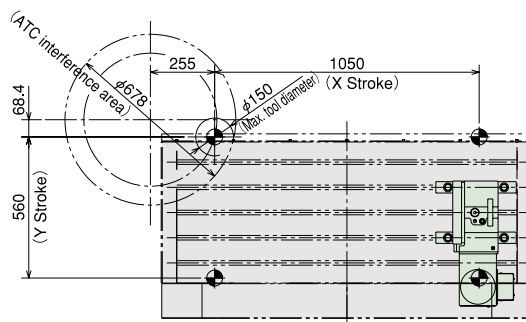
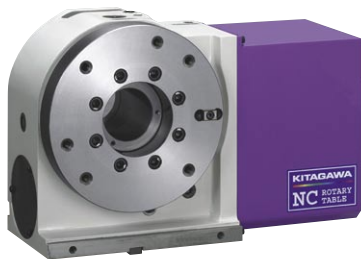
Vertical Machining Centers

MILLAC Series MILLAC 561V

GT250RA***

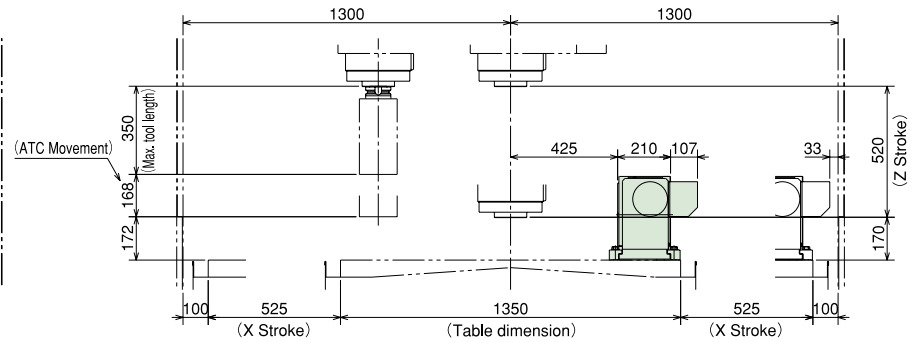
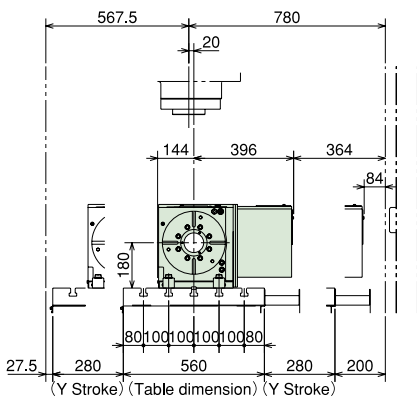
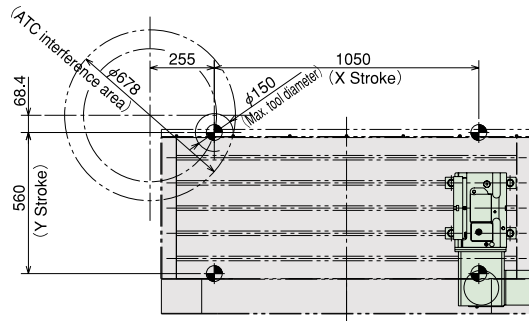


MR250RA***

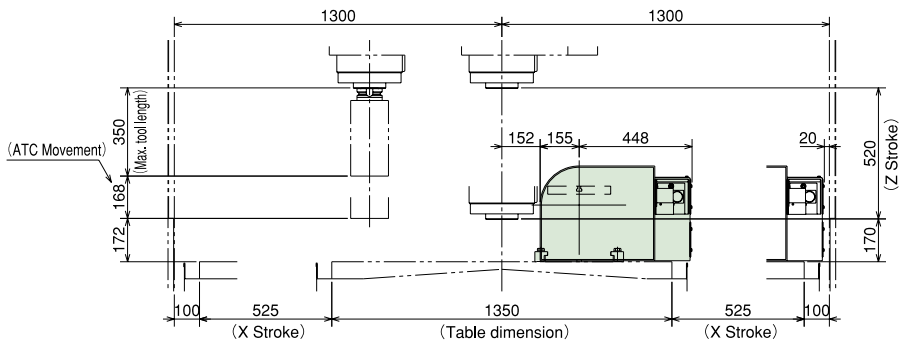
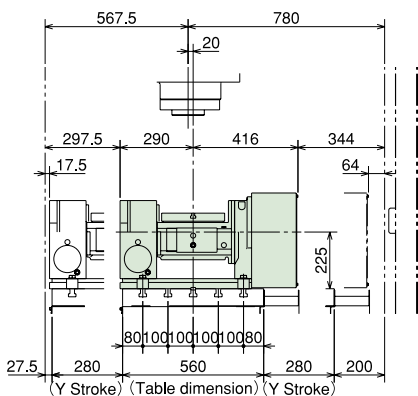
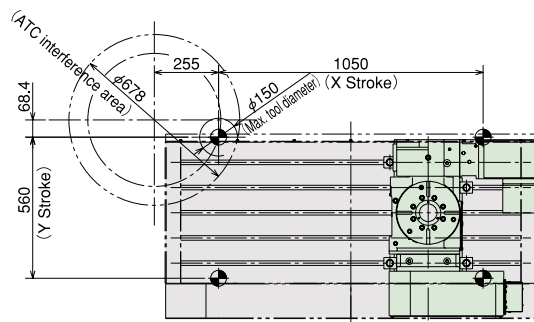
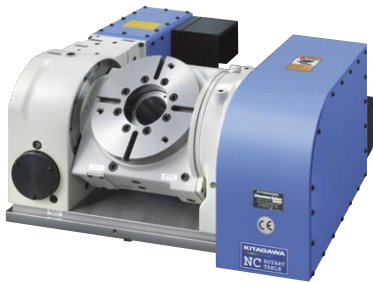




TMX250B***



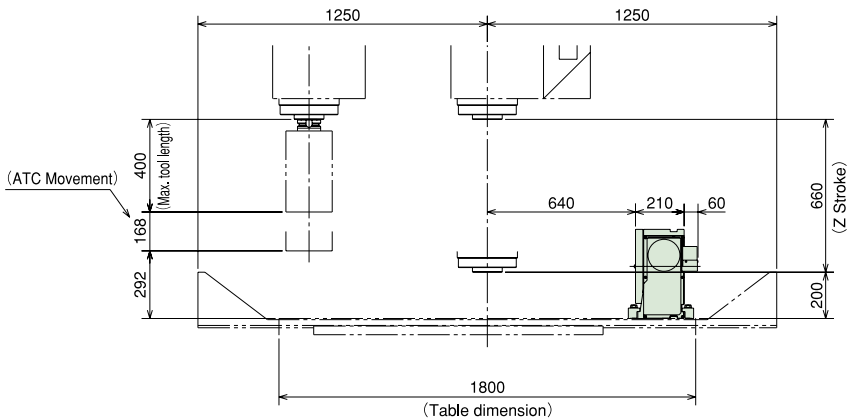
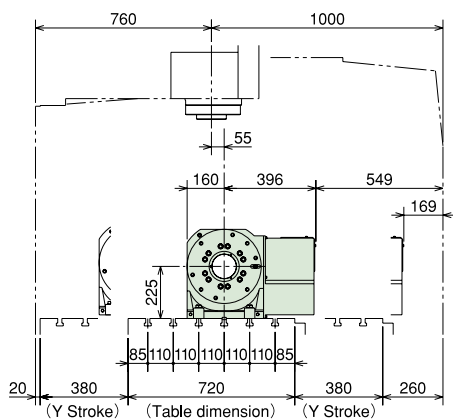
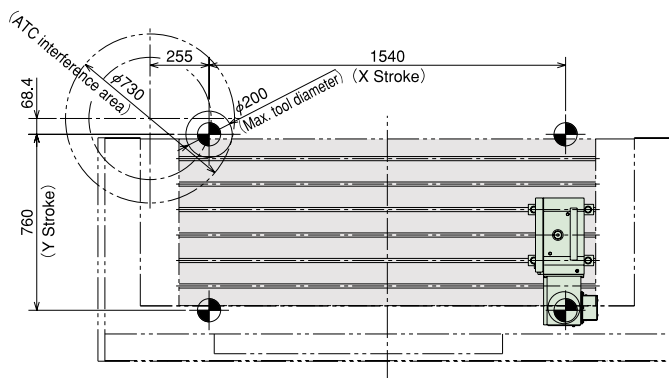
TT251H****



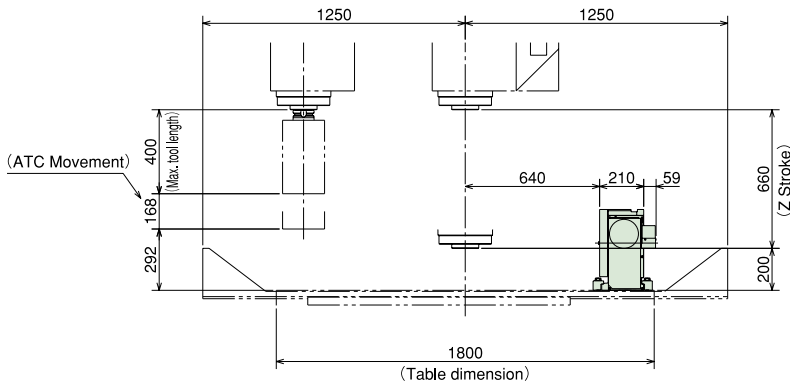
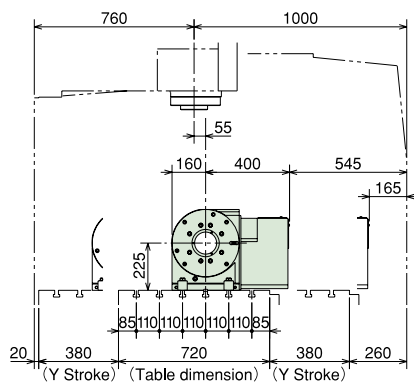
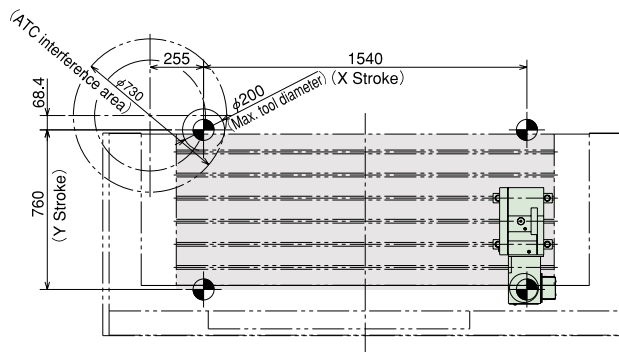


Vertical Machining Centers MILLAC Series MILLAC 761V

GT320RA***

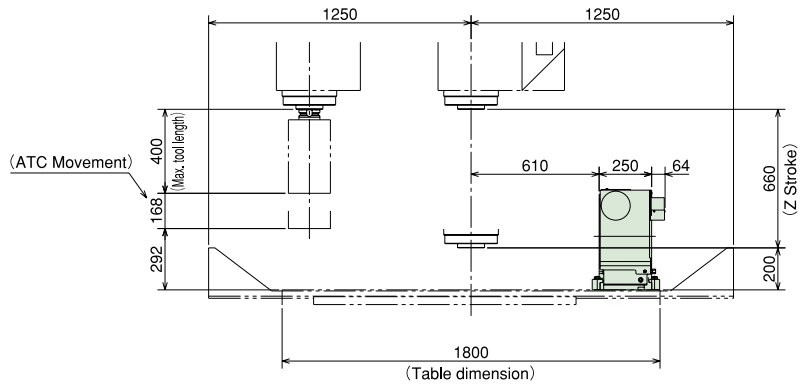
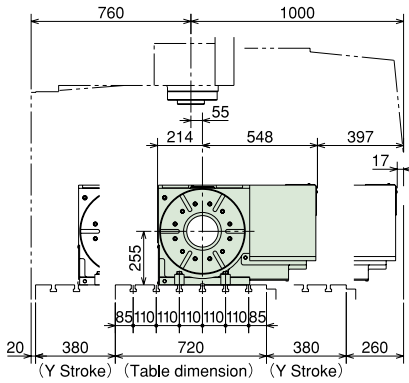
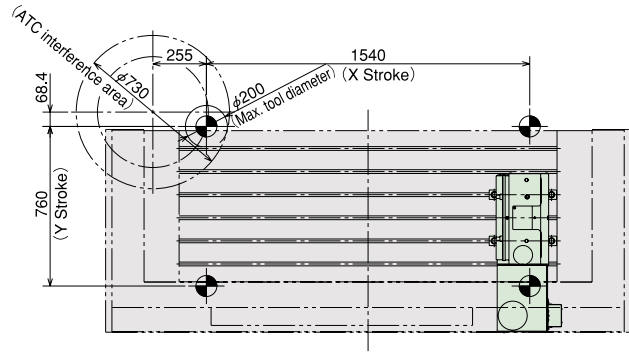
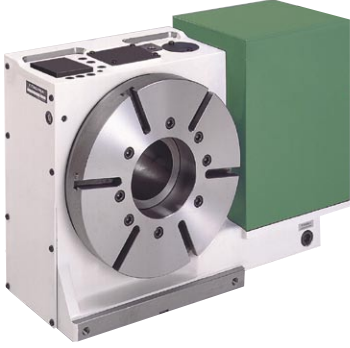


MR320RA***

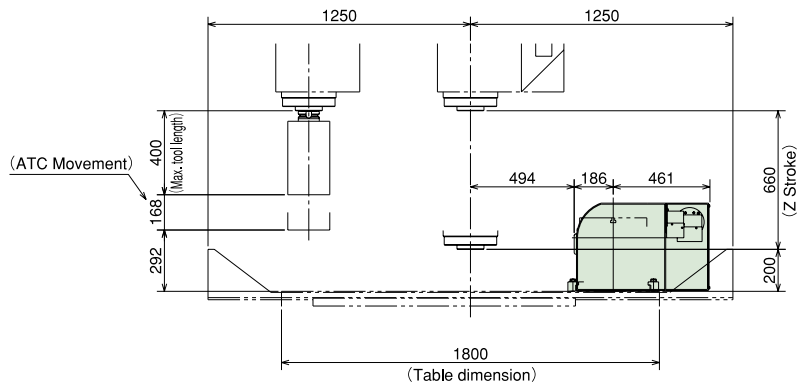
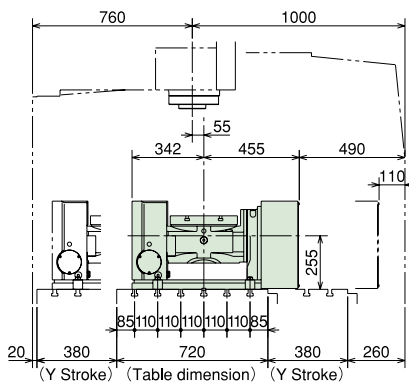
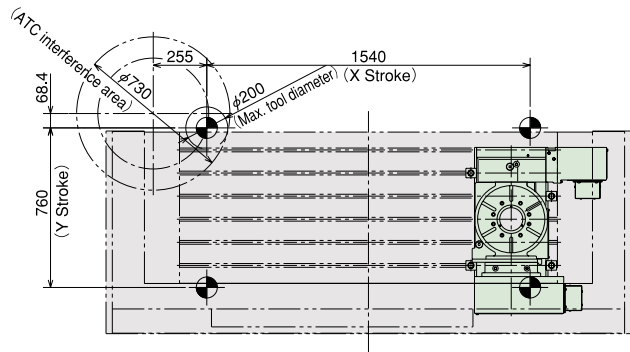
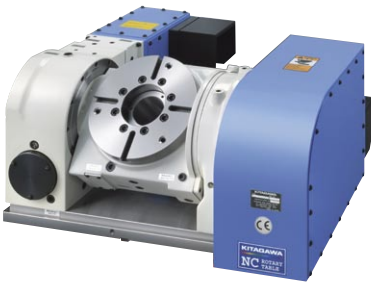




TR400H2***



TT321H***





NC ROTARY
TABLE

NC ROTARY TABLE OPTION

Tailstock

[Manual]

- Clamp handle can be installed on left or right side
- Notch type hand wheel



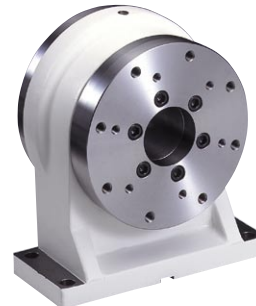
[Pneumatic / Hydraulic]

- Stroke confirmation on cylinder
- Easily exchangeable quill-type centre
- Equipped with a proximity switch for position confirmation



Tail Spindle

- Clamping mechanism spec
(Heavy duty tailstock with Disk clamping)
- Non clamping mechanism spec
- Suitable for supporting many types of jig



Rotary Joint

- Built in rotary joint reduces supply block projection
- External rotary joint allows many ports
- Provides air or hydraulic pressure from the rear of the table to a fixture



kitagawa <http://www.mta.kiw.co.jp>

KITAGAWA IRON WORKS CO., LTD.

77-1 Motomachi, Fuchu-shi, Hiroshima-pref. 726-8610, Japan
TEL +81 847-40-0526 FAX +81 847-45-8911

• Specifications and outside appearance are subject to change without notice due to ongoing research and development.
• The colour of the actual product may be different from the catalogue's due to printing matters.
• Catalogue contents as of 2013.2
• The products herein are controlled under Japanese Foreign Exchange and Foreign Trade Control Act. In the event of importing and/or exporting the products, you are obliged to consult KITAGAWA as well as your government for the related regulation prior to any transaction.