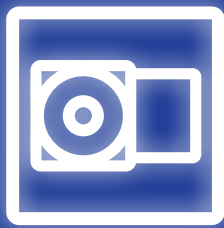
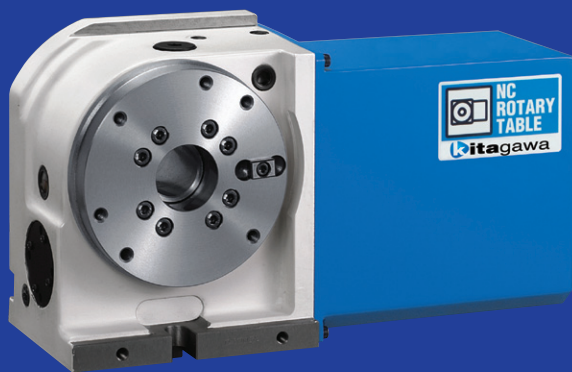


Machining Centers DT/DNM/VC/MynX Series



NC ROTARY TABLE



DOOSAN

Machine Type		DT Series					DNM Series				
		DT360D		DT400 II /400L		DNM400/400HS		DNM500/500HS		DNM650/650HS	
		Table Model									
MR series	160	○	○	○	○	○	○	○	○	○	○
	200	◎ P.4	◎ P.5	◎ P.7	○	○	○	○	○	○	
	250	—	—	○	◎ P.9	○	○	○	○	○	
	320	—	—		○	◎ P.11	○	○	○	○	
CK	160	◎ P.4	◎ P.5	○	○	○	○	○	○	○	
RK	200		◎ P.6	◎ P.7	○	○	○	○	○	○	
GT series	200	—	○	◎ P.8	○	○	○	○	○	○	
	250	—	—	○	◎ P.9	○	○	○	○	○	
	320	—	—		○	◎ P.11	○	○	○	○	
TMX/ TR/TP series	TMX series	160	○	○	○	○	○	○	○	○	
		200	○	○	◎	○	○	○	○	○	
		250	—	—	○	○	○	○	○	○	
	TR series	320	—	—		◎	○	○	○	○	
		400	—	—	—	—	—	◎	○	○	
		500	—	—	—	—	—	—	—	○	
		630	—	—	—	—	—	—	—	○	
TP	530	—	—	—	—	—	—	—	○		
TT/ TTS/ TW series (Tilting NCRT)	TT series	101	—	◎ P.6	○	○	○	○	○	○	
		140	—	○	○	○	○	○	○	○	
		182	—	—	○	○	○	○	○	○	
		251	—	—	—		○	○	○	○	
		321	—	—	—	—	—	○	○	○	
	TTS/ TW series	182	—	—	◎	◎ P.10	○	○	○	○	
		251	—	—	—	○	○	◎ P.12	○	○	
		321	—	—	—	—	—	○	○	○	
	2180	—	—	◎ P.8	○	○	○	○	○		

Note 1 ◎ : Recommend 추천 ○ : Available 유효  : Contact us 문의

Note 2 Other than above, check on the Kitagawa NC Rotary Table catalogue.
상기 이외의 내용은 KITAGAWA 카다로그를 참조하여 주십시오.

Note 3 The drawings shown are only for references.
Enquire separately for details and for particular specifications.
표시된 도면은 참고용입니다.
자세한 내용과 특별 사양에 관하여는 KITAGAWA 또는 , 가까운 대리점에 문의 바랍니다.

DOOSAN

V/VC Series			Mynx Series		
VC430 (2pallet)	VC510 (2pallet)	VM950	Mynx 540/5400	Mynx 650/6500	Mynx 750/7500
○	○	○	○	○	○
○	○	○	○	○	○
○	○	○	○	○	○
—	○	○	○	○	○
⊙ P.13	○	○	○	○	○
○	⊙ P.14	○	○	○	○
○	○	○	○	○	○
	○	○	⊙	○	○
—	○	○	○	⊙	○
○	○	○	○	○	○
○	○	○	○	○	○
	○	○	○	○	○
—	○	○	⊙ P.15	○	○
—	—	○	—	⊙ P.16	○
—	—	○	—	—	○
—	—	⊙	—	—	—
—	—	⊙	—		⊙ P.17
⊙ P.13	⊙ P.14	○	○	○	○
—	○	○	⊙ P.15	○	○
—	—	○	⊙	○	○
—	—	○	○	⊙ P.16	○
—	—	○	—	○	⊙ P.17
—	○	○	○	○	○
—	—	○	○	○	○
—	—	○	○	○	○
	○	○	○	○	○

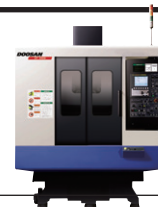
Note 1 ⊙: Recommend 추천 ○: Available 유효 : Contact us 문의

Note 2 Other than above, check on the Kitagawa NC Rotary Table catalogue.
 상기 이외의 내용은 KITAGAWA 카다로그를 참조하여 주십시오.

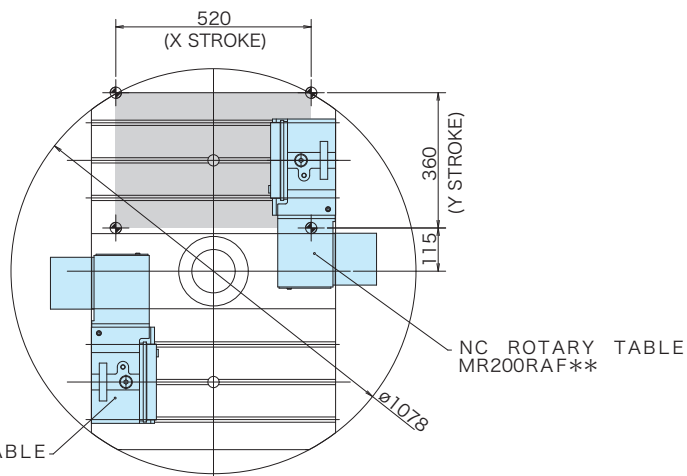
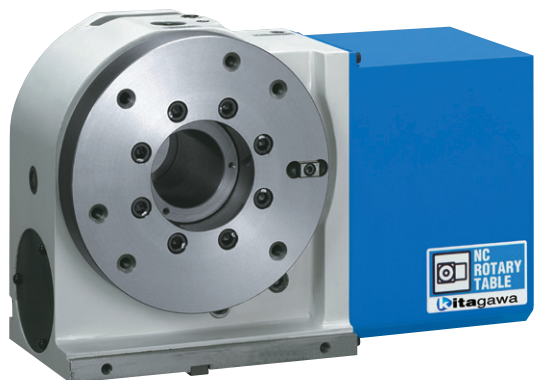
Note 3 The drawings shown are only for references.
 Enquire separately for details and for particular specifications.
 표시된 도면은 참고용입니다.
 자세한 내용과 특별 사양에 관하여는 KITAGAWA 또는, 가까운 대리점에 문의 바랍니다.



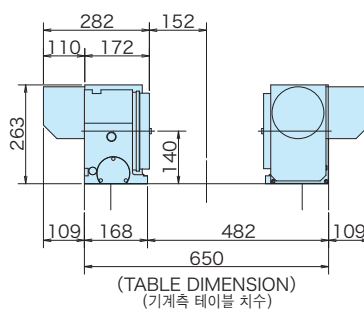
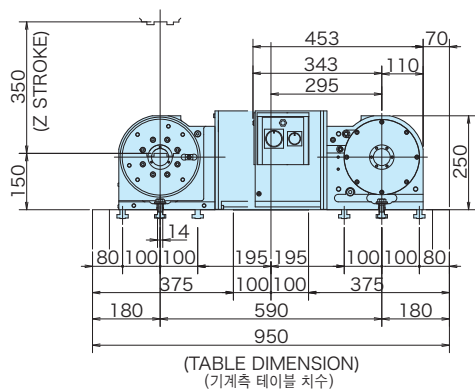
DOOSAN Machining Center DT360D



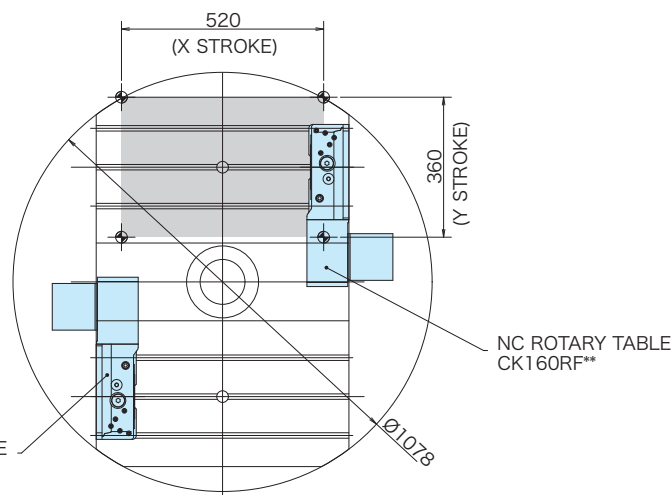
MR200RAF**



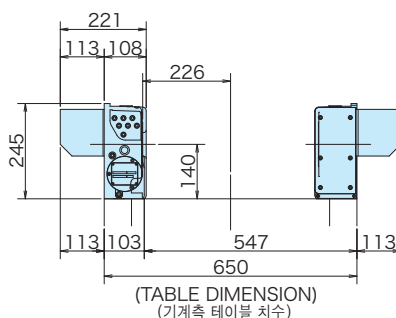
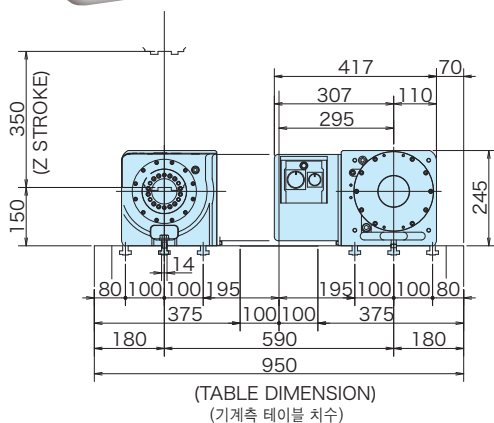
NC ROTARY TABLE MR200RAF**



CK160R****



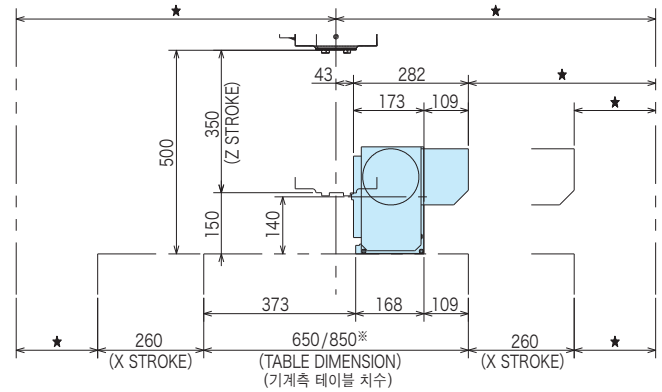
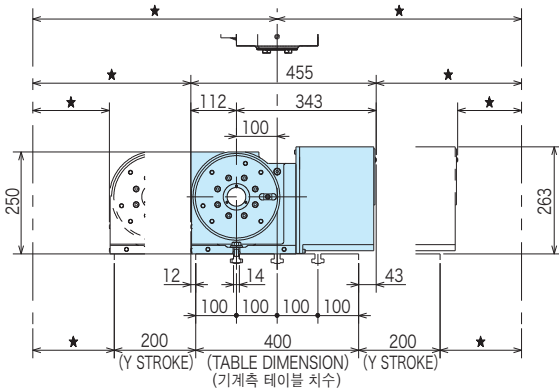
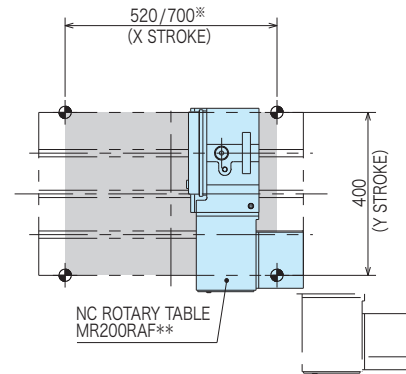
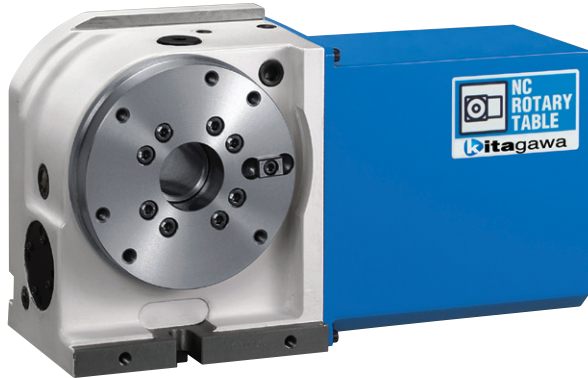
NC ROTARY TABLE CK160RF**



DT400 II /400L

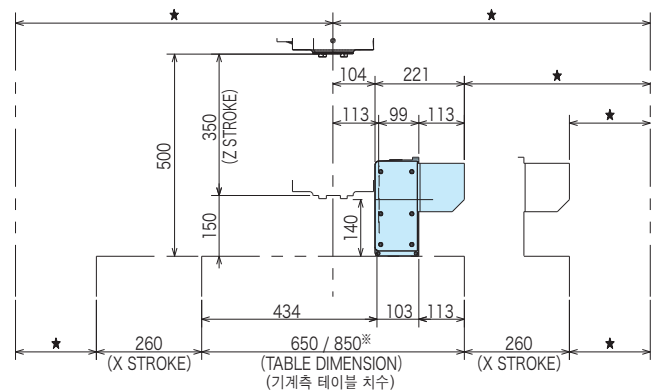
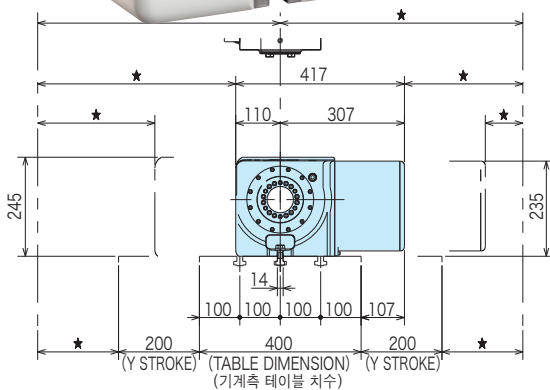
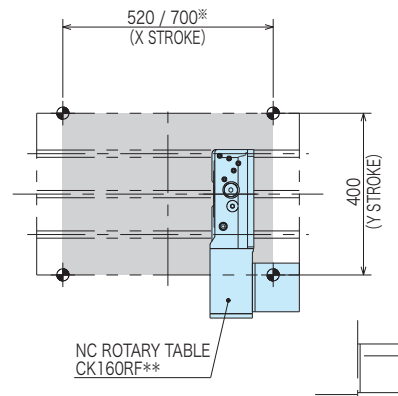


MR200RAF**



※Dimensions of DT400L

CK160R***



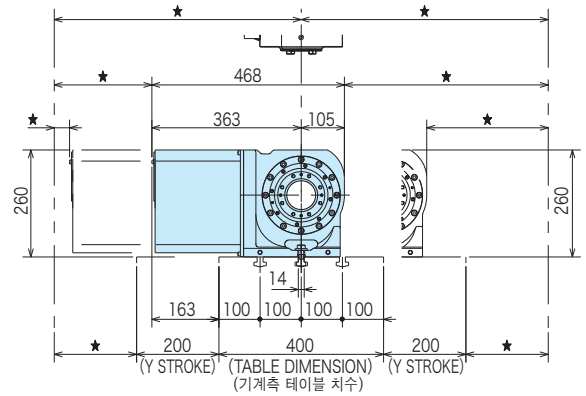
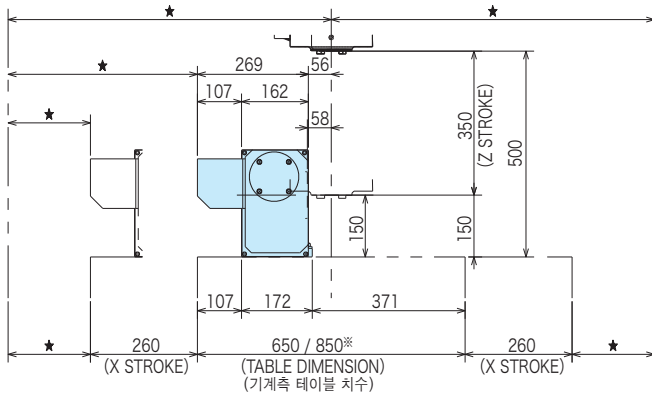
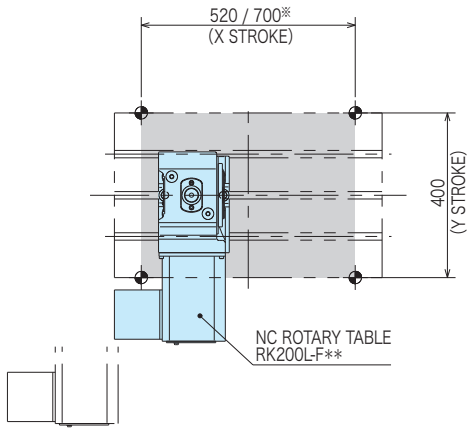
※Dimensions of DT400L



DOOSAN Machining Center DT400 II / 400L

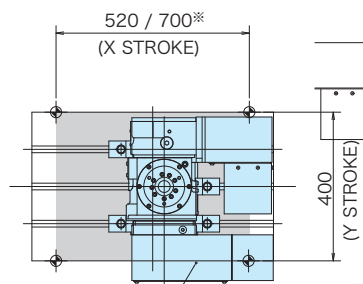


RK200*****

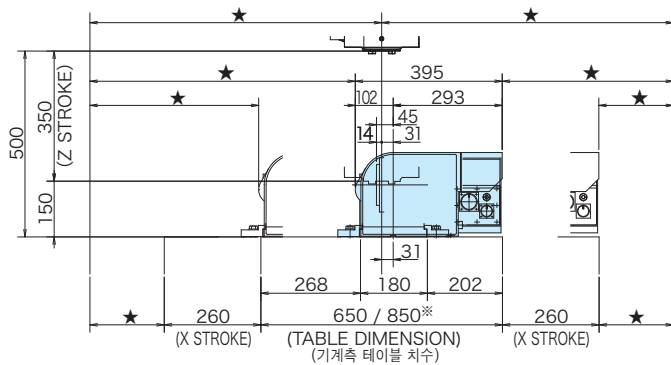
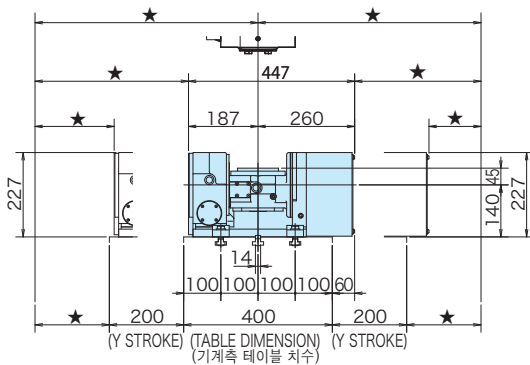


※Dimensions of DT400L

TT101A*****



NC ROTARY TABLE
TT101AFF**

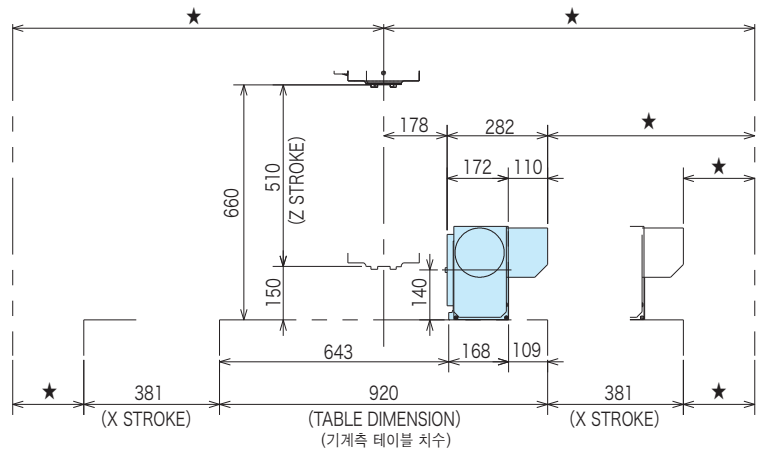
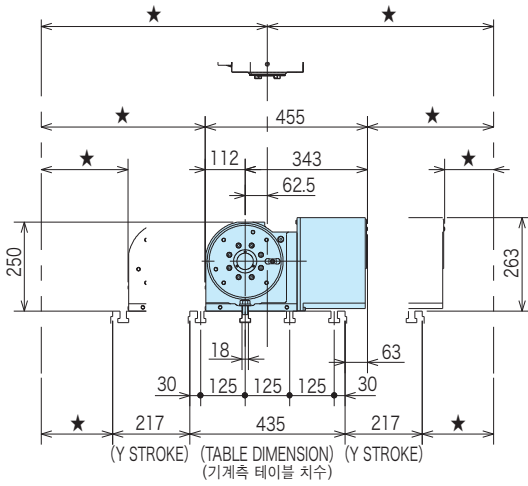
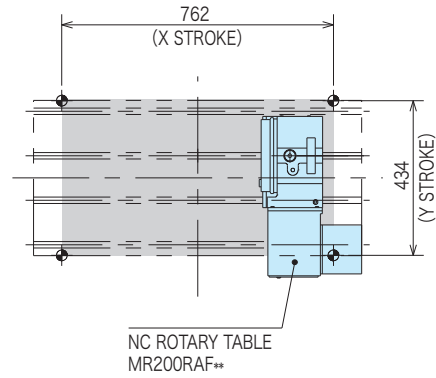
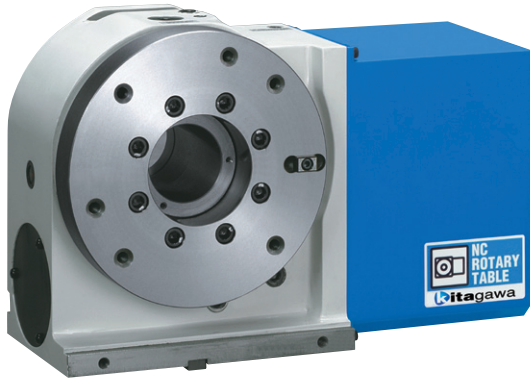


※Dimensions of DT400L

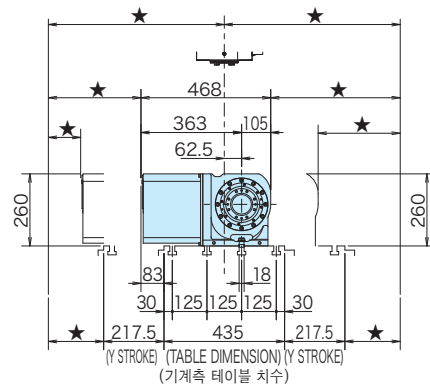
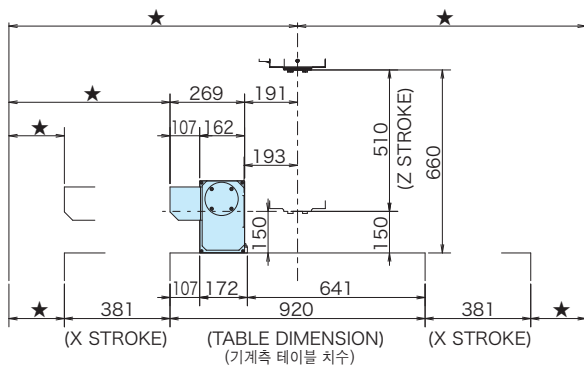
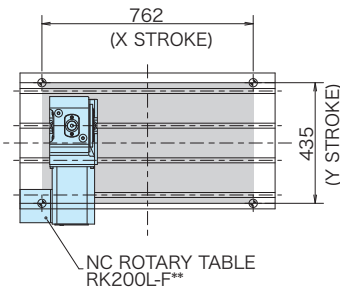
DNM400/400HS



MR200RAF**



RK200*****

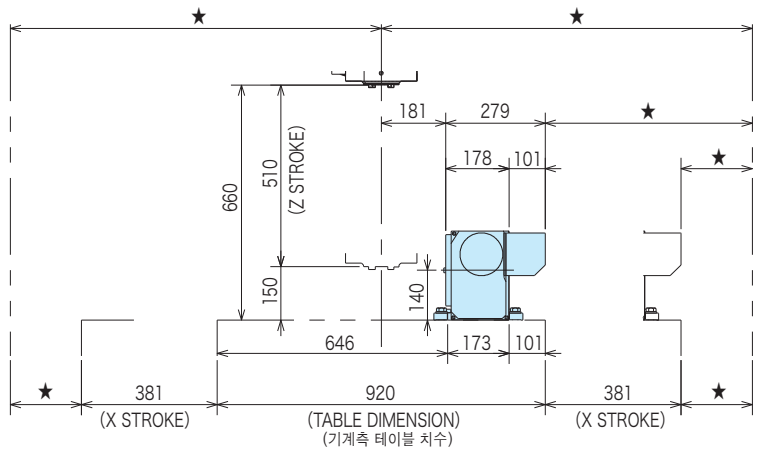
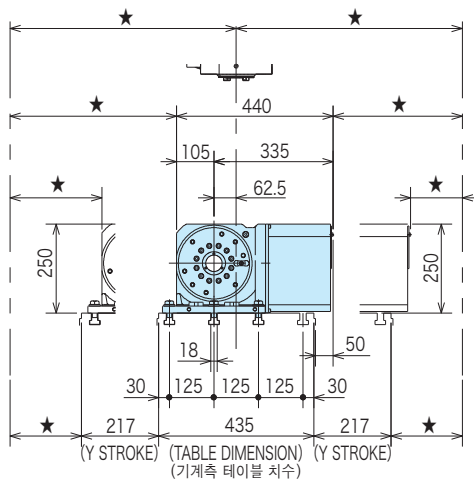
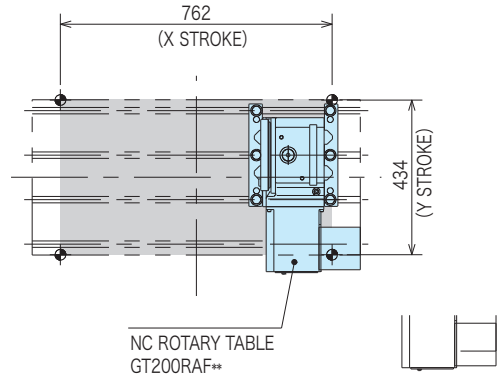




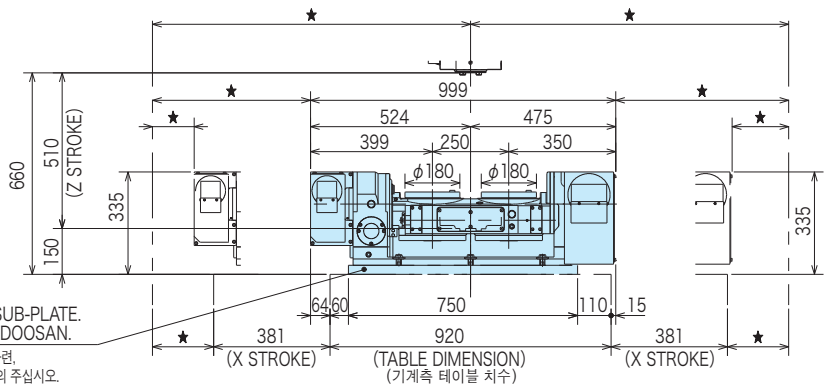
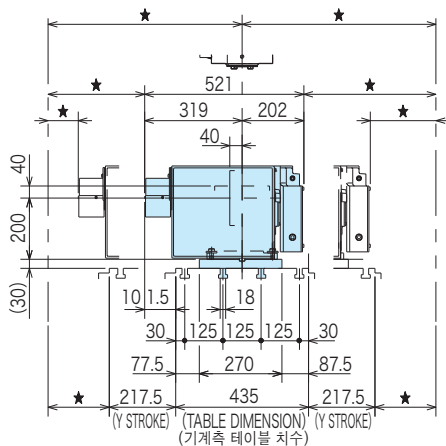
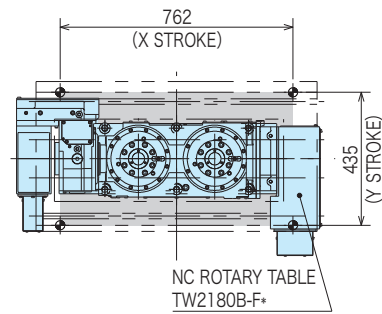
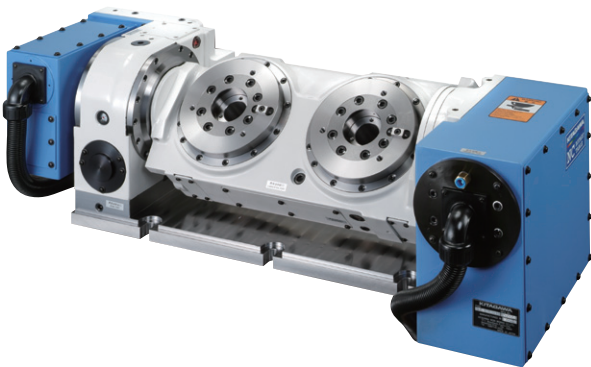
DOOSAN Machining Center DNM400/400HS



GT200RAF**



TW2180****

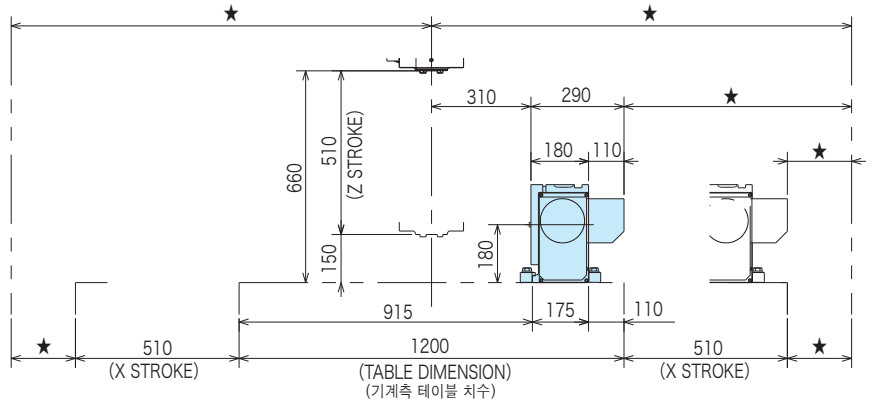
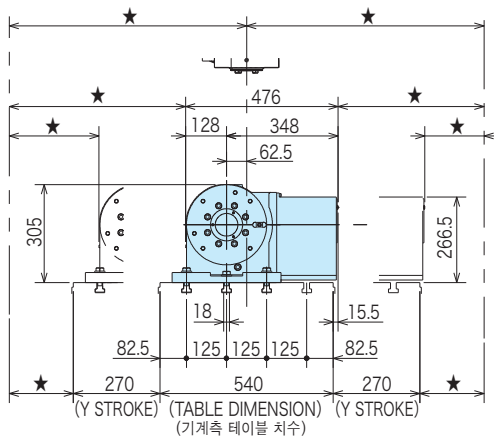
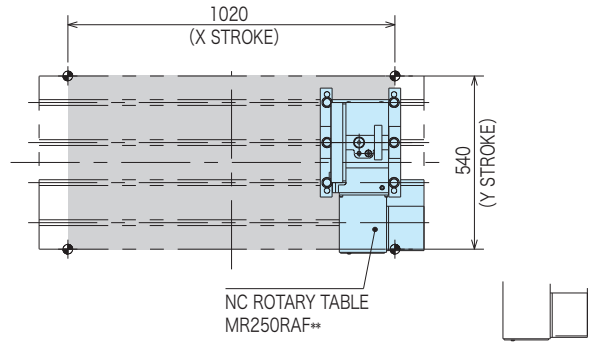
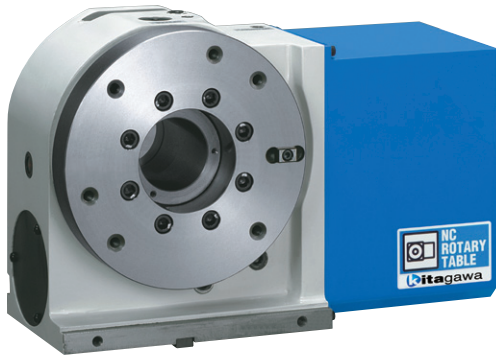


FOR THE SUB-PLATE.
CONTACT DOOSAN.
서브 플레이트관련,
DOOSAN에 문의 주십시오.

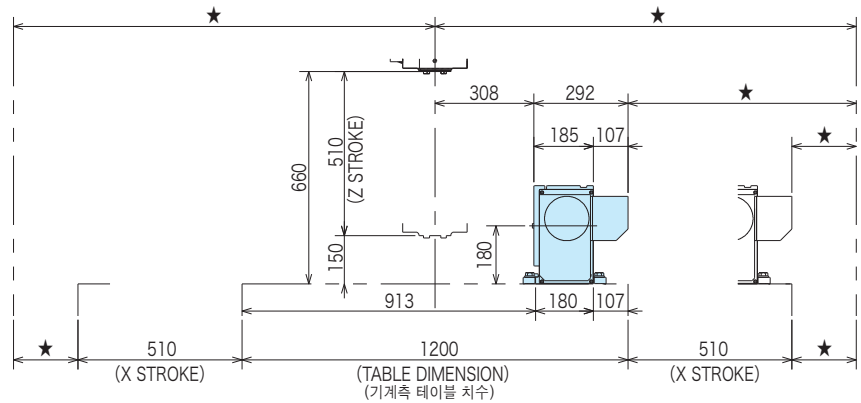
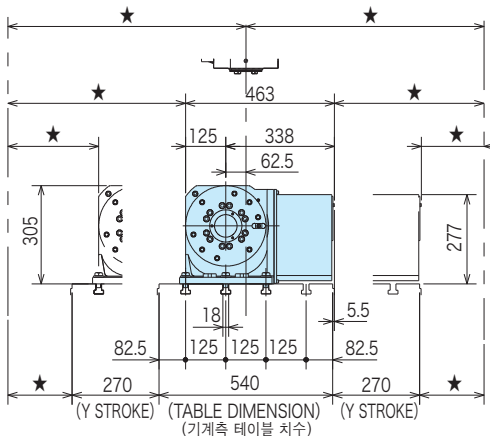
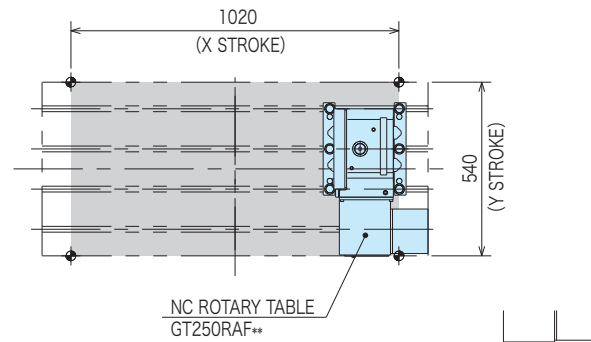
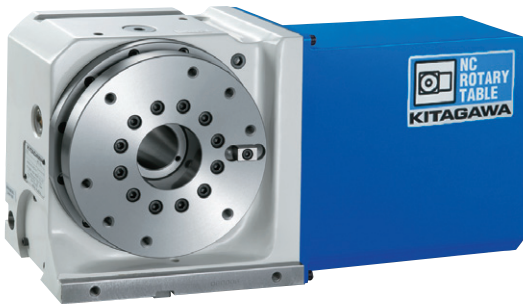
DNM500/500HS



MR250RAF**

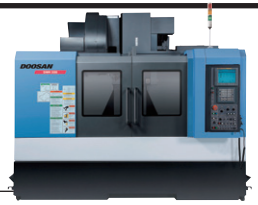


GT250RAF**

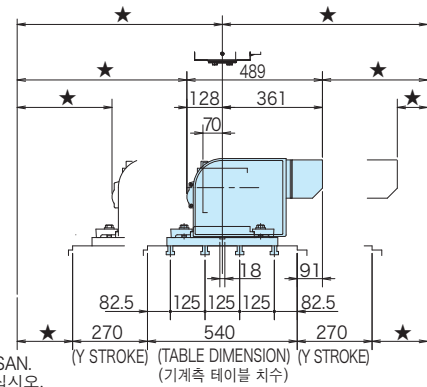
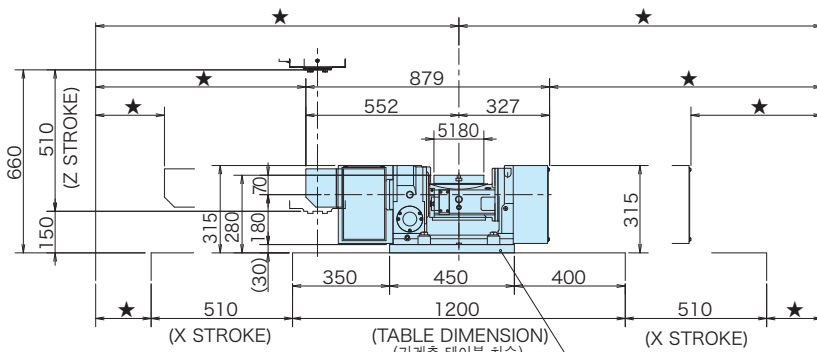
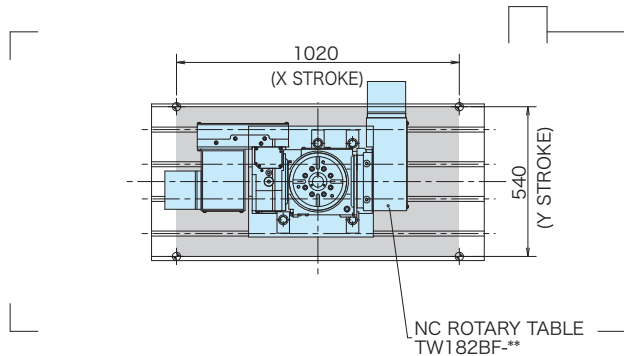




DOOSAN Machining Center DNM500/500HS



■ TW182*****



FOR THE SUB-PLATE, CONTACT DOOSAN.
서브 플레이트관련, DOOSAN에 문의 주십시오.

搭載事例

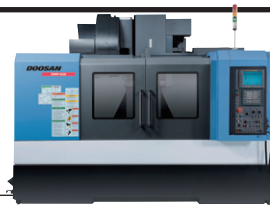
■ MR200 with Trunnion jig on DT400



■ MR200 with Trunnion jig on VC430

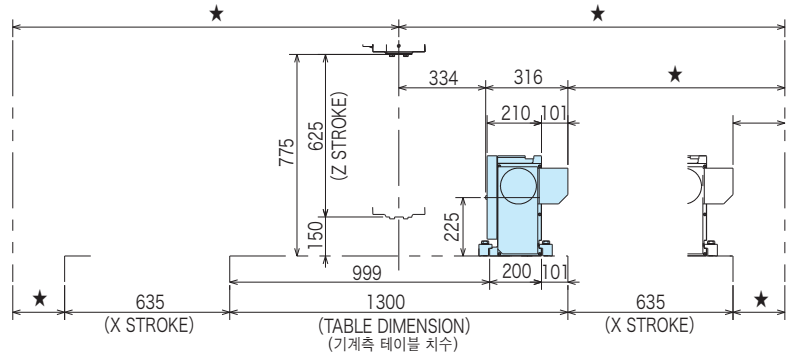
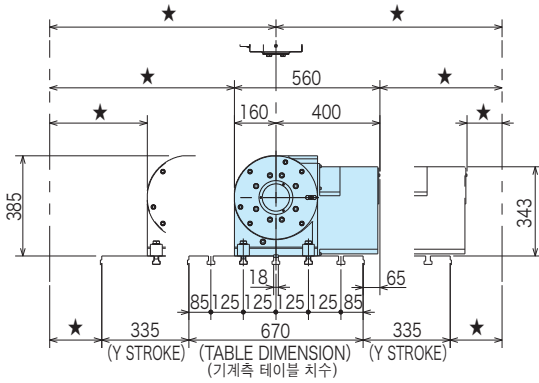
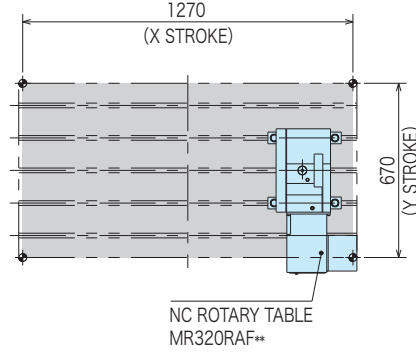


DNM650/650HS

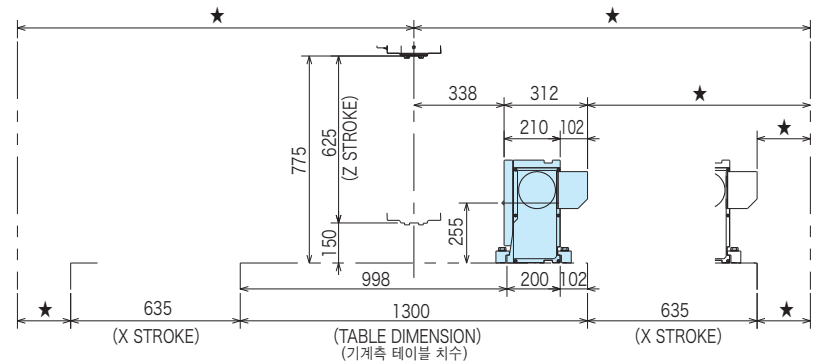
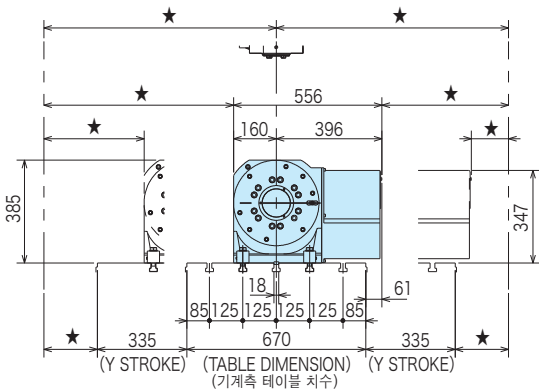
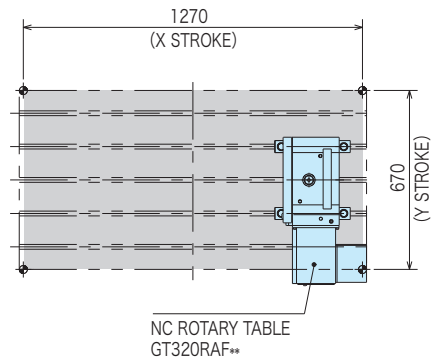


kitagawa

MR320RAF**

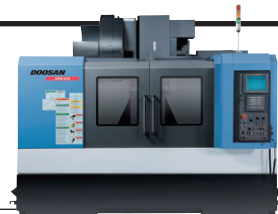


GT320RAF**

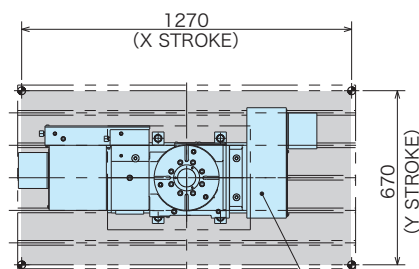




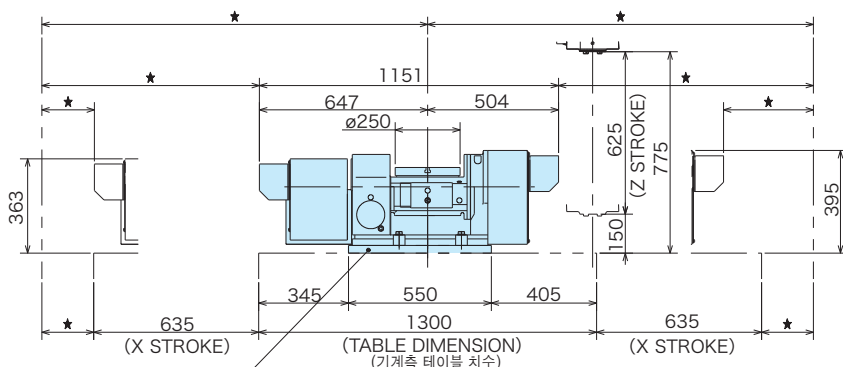
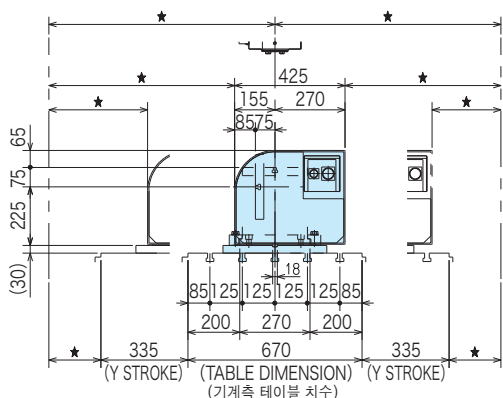
DOOSAN Machining Center DNM650/650HS



TTS251 ****



NC ROTARY TABLE
TTS251HFF*



FOR THE SUB-PLATE, CONTACT DOOSAN.
서브 플레이트관련, DOOSAN에 문의 주십시오.

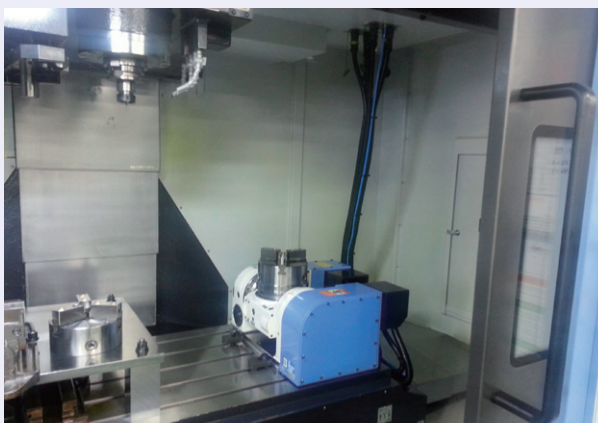
- ※TTS 251 CAN BE MOUNTED ON Mynx650 OR 6500.
- ※TT251 CAN BE MOUNTED ON DNM650.
- ※Mynx650, Mynx6500에 TTS251 탑재 가능합니다.
- ※DNM650에 TT251 탑재 가능합니다.

搭載事例

MR250 on VC510



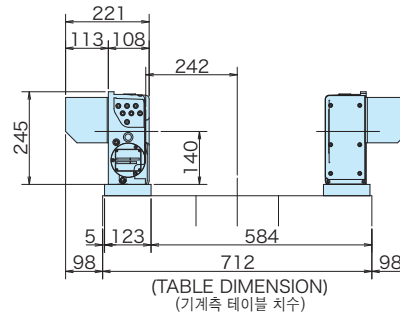
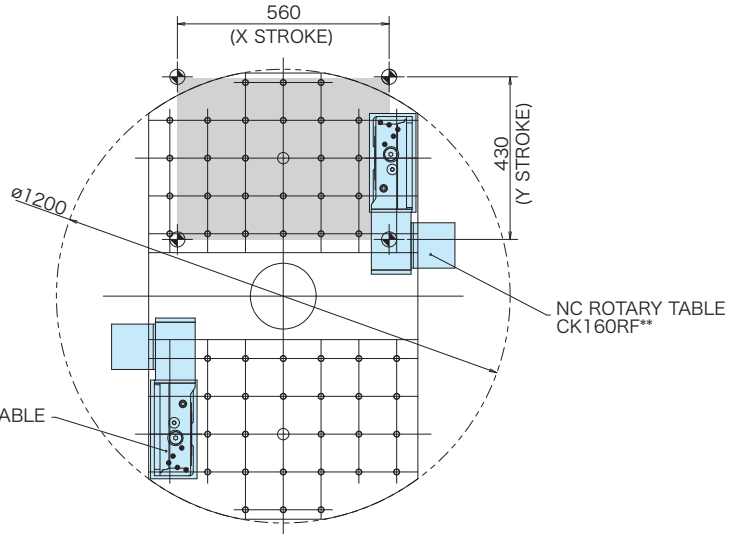
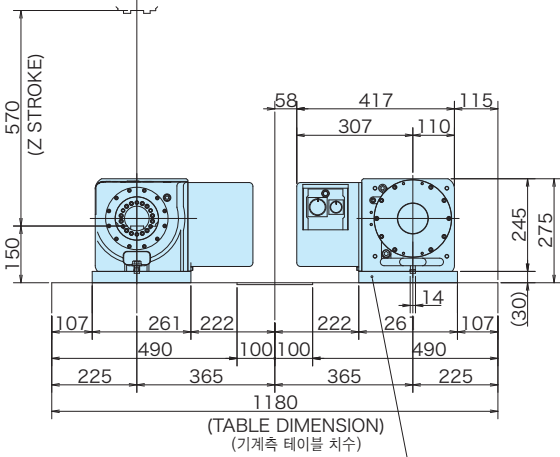
TT182 on Mynx6500



VC430 (2pallet)

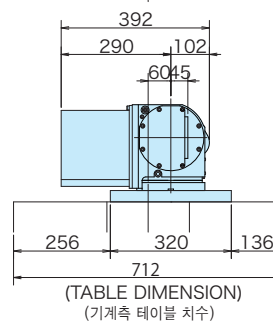
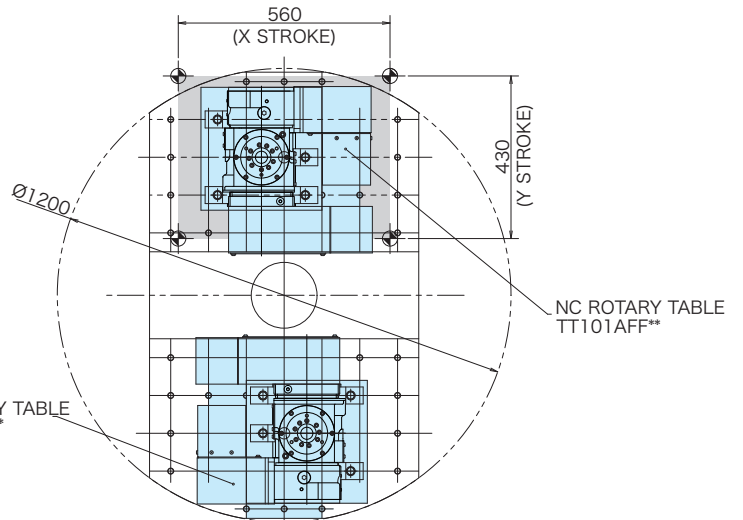
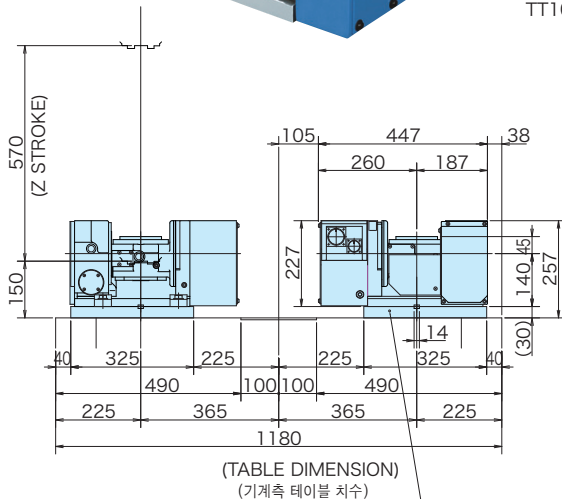


CK160R****



THE SUB-PLATE IS REQUIRED SEPARATELY.

TT101A****



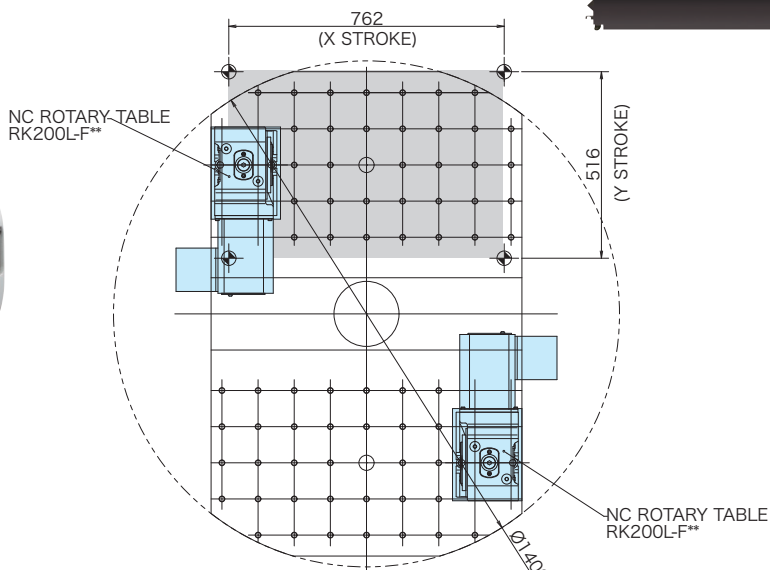
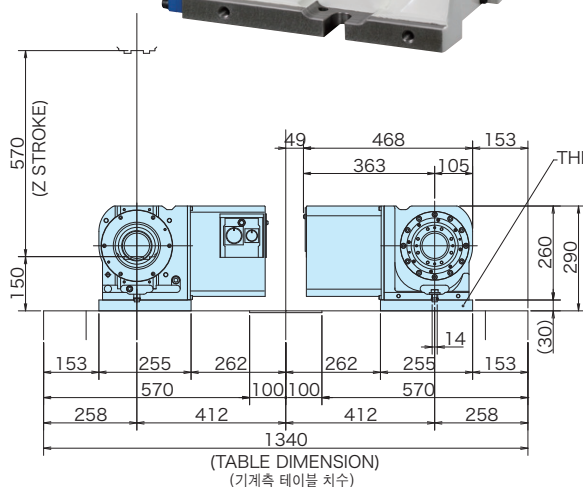
THE SUB-PLATE IS REQUIRED SEPARATELY.



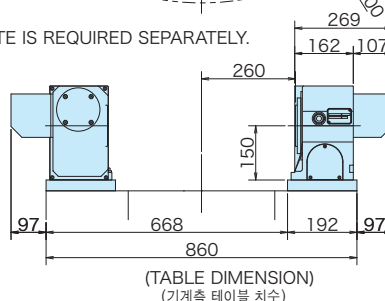
DOOSAN Machining Center VC510 (2pallet)



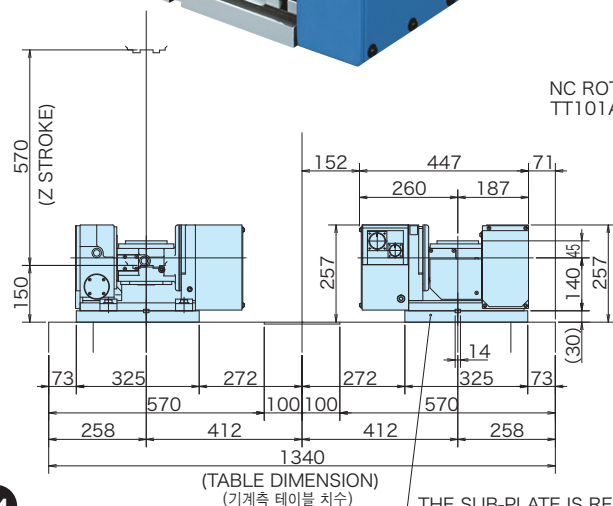
RK200*****



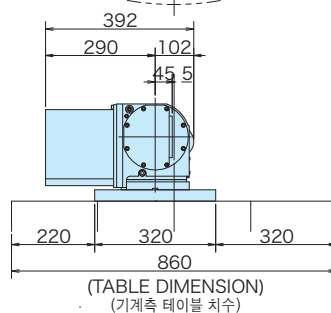
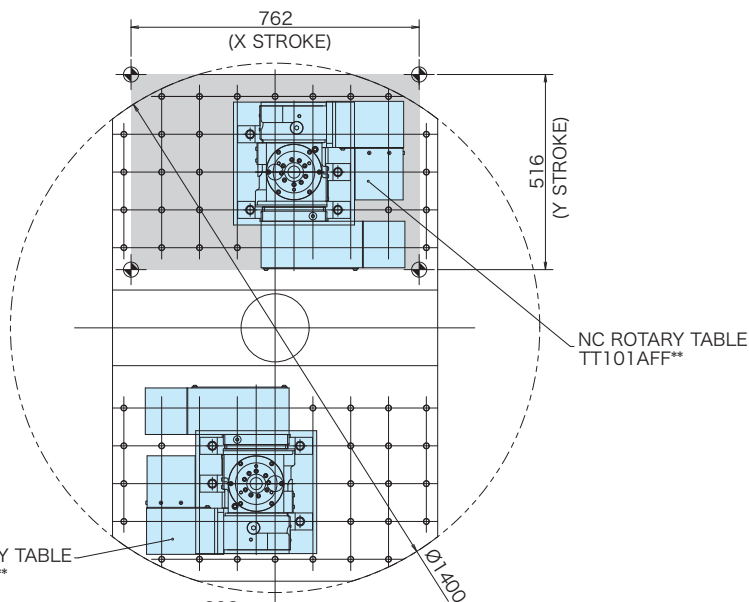
THE SUB-PLATE IS REQUIRED SEPARATELY.



TT101A****



NC ROTARY TABLE TT101AFF**



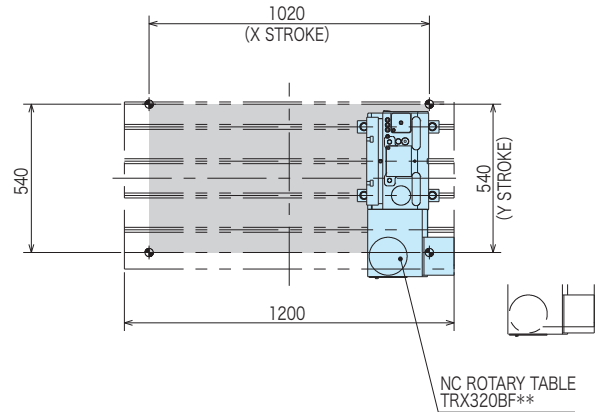
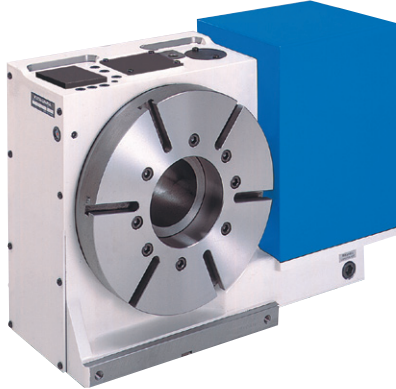
THE SUB-PLATE IS REQUIRED SEPARATELY.

Mynx540/5400

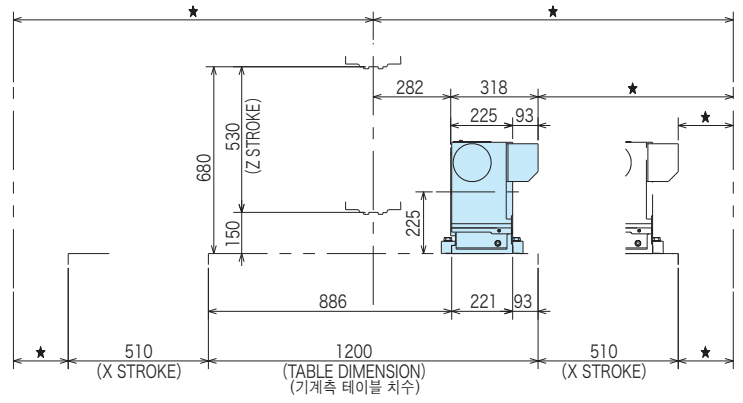
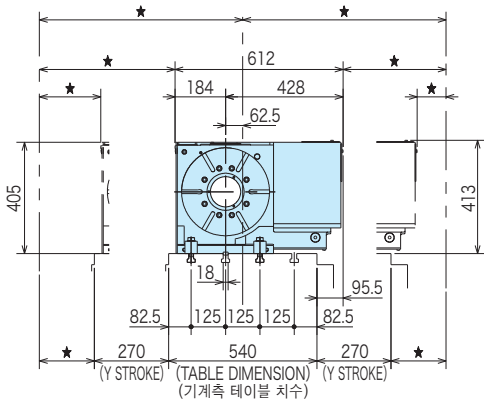


kitagawa

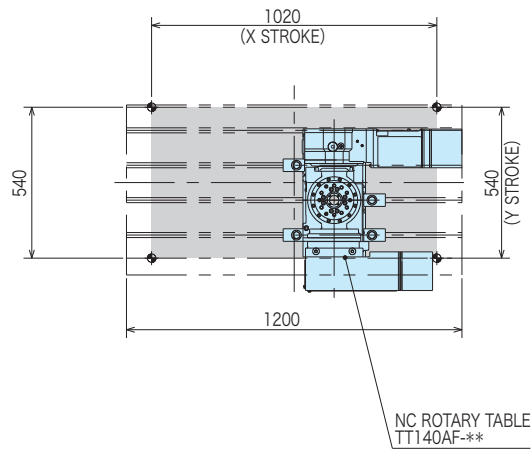
TRX320****



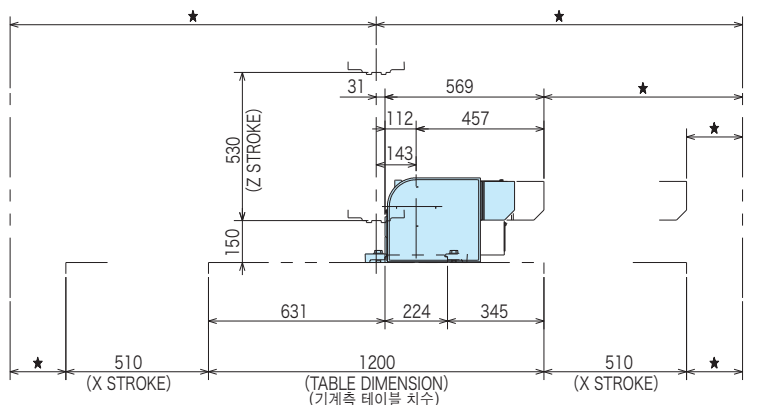
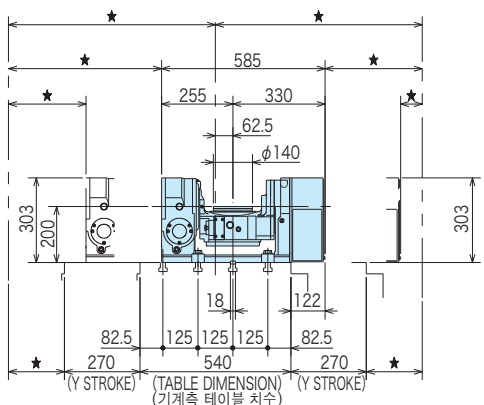
+



TT140A****



+

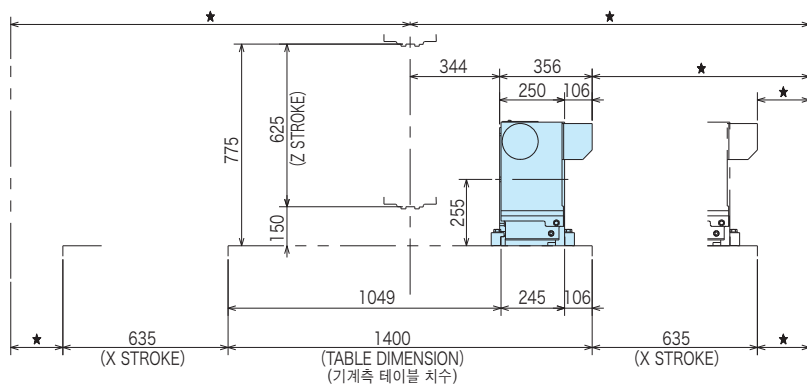
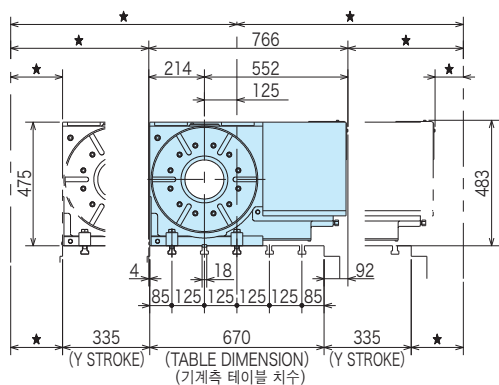
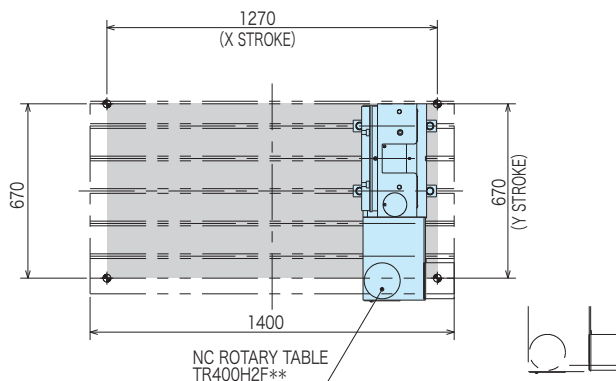
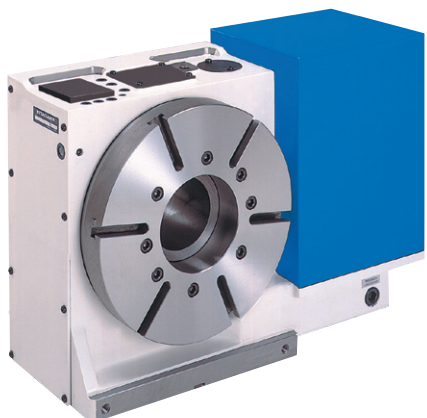




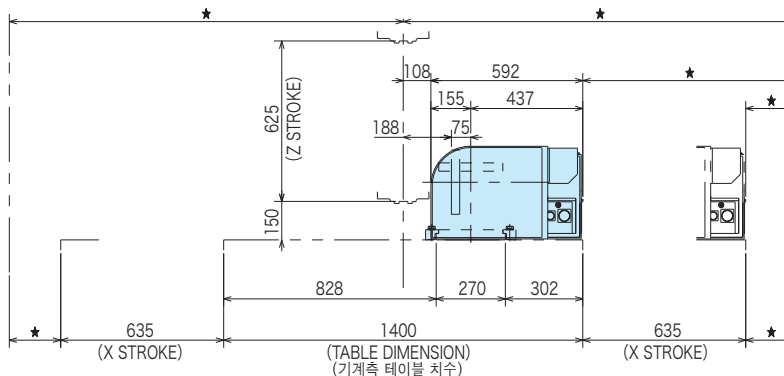
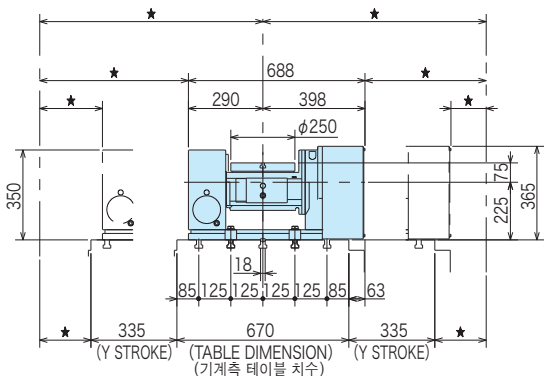
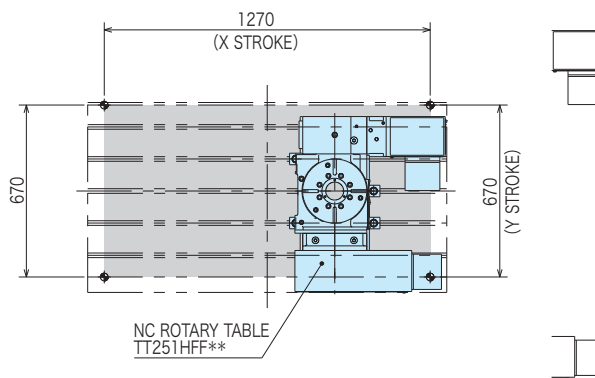
DOOSAN Machining Center Mynx650/6500



TR400*****



TT251*****



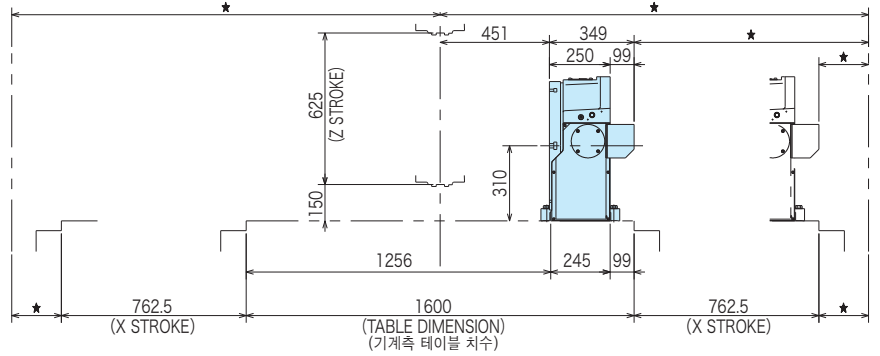
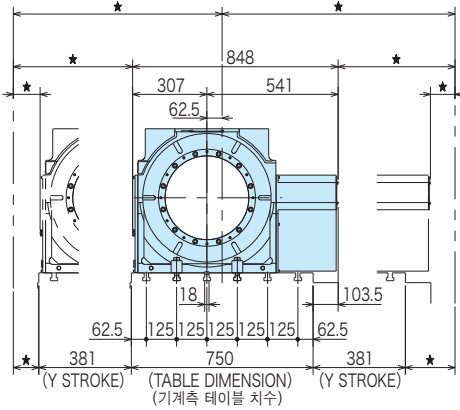
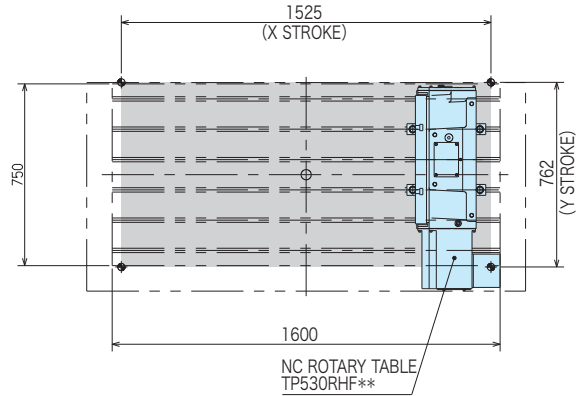
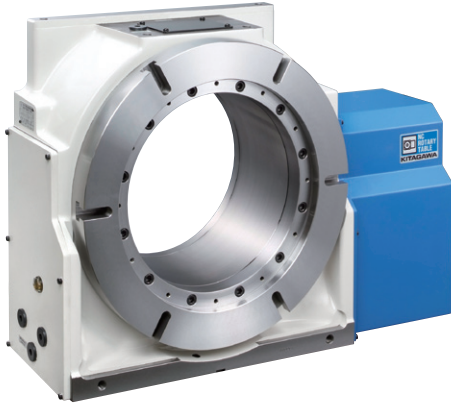
※TT251 CAN BE MOUNTED ON DNM650.
 ※TTS251 CAN BE MOUNTED ON Mynx650 OR 6500.

※Mynx650, Mynx6500에 TTS251 탑재 가능합니다.
 ※DNM650에 TT251 탑재 가능합니다.

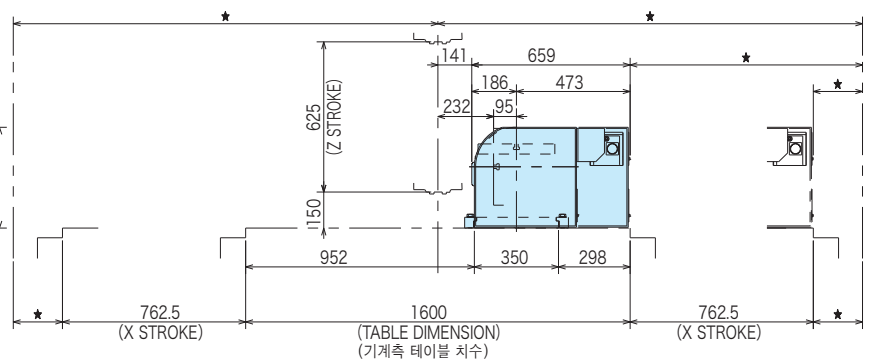
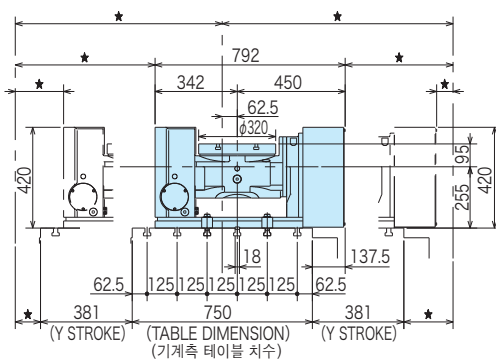
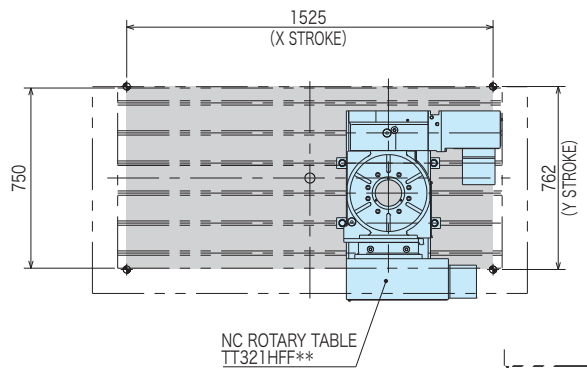
Mynx750/7500



TP530R****



TT321*****





CHUCK

Mega Thru-hole Front-mounting Air-operated Chuck

간단히 설치하는 대 관통경 표준 에어 척

UPR series

Air-operated chuck perfect for oil pipe standards

오일 파이프 가공용 표준 에어 척



Suitable for PUMA series!

PUMA 시리즈 장착에도 최적의 사양



Features 기능

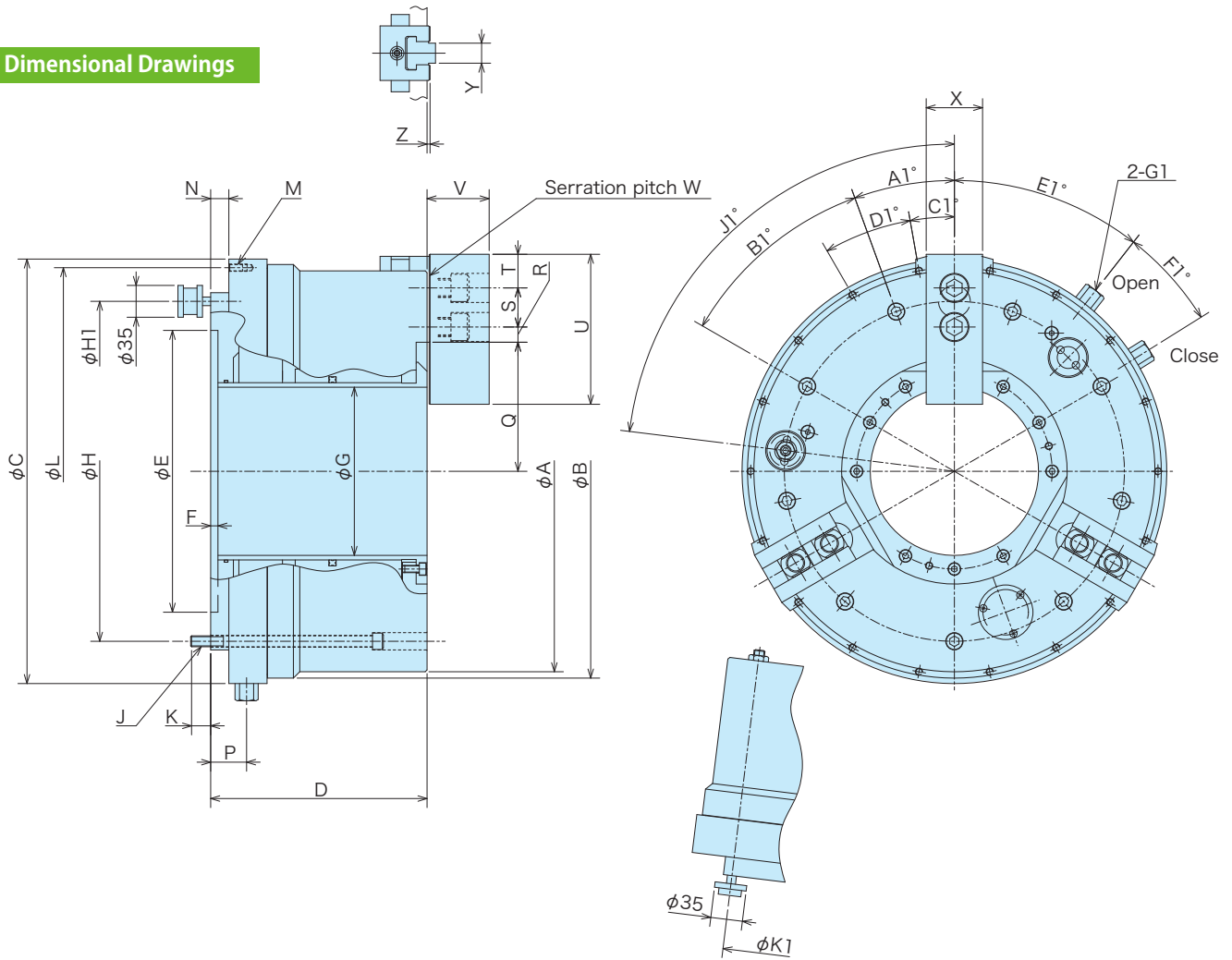
- Easy installation
- Easy centering adjustment
- Service & maintenance improved

- 쉬운 설치
- 간단한 센터링 (편리성)
- 서비스 & 멘테넌스의 개선

Specifications 사양표

Model	Plunger Stroke	Thru-Hole	Jaw Stroke(diameter) mm		Gripping range mm		Max. Gripping Force	Max. Speed	Weight	Moment of inertia	Max. Pneumatic pressure
	mm		mm	Rapid	Gripping	Max.					
UPR440	53	φ 140	26	14	441	98	99	1300	211	5.6	0.5
UPR450	53	φ 185	26	14	441	127	100	1300	195	5.5	0.6
UPR460	53	φ 191	26	14	455	132	96	1300	200	6.1	0.6
UPR550	53.5	φ 205	33	17	550	171	123	1200	356	15.6	0.5
UPR570	53.5	φ 230	33	17	570	187	120	1200	359	10.6	0.5
UPR600	53.5	φ 275	33	17	590	235	120	1100	365	19.7	0.5
UPR650	53.5	φ 325	33	17	655	240	147	1000	476	32.2	0.6
UPR710	53.5	φ 375	33	17	715	294	162	900	532	43.1	0.6
UPR910	53.5	φ 560	33	17	915	475	162	600	735	103	0.5

Dimensional Drawings



Dimensions

Model	A	B	C	D	E(H7)	F	G	H	J	K	L	M	N	P	Q		R	
	mm	mm	(0/-0.2)												MAX	MIN	MAX	MIN
UPR440	441	455	467	238	310	8	140	374	9-M12	22	448	18-M8	20	39.5	124.5	104.5	52.75	16.75
UPR450	441	455	467	238	310	8	185	374	9-M12	22	448	18-M8	20	39.5	142	122	34.75	16.75
UPR460	455	455	467	238	310	8	191	374	9-M12	22	448	18-M8	20	39.5	145	125	34.75	16.75
UPR550	550	570	570	270	415	8	205	474	12-M12	22	550	18-M8	20	57	161.5	136.5	55	19
UPR570	570	570	570	270	415	8	230	474	12-M12	22	550	18-M8	20	57	174	149	55	19
UPR600	590	605	605	272	450	8	275	508	12-M12	22	585	18-M8	20	50	196.5	171.5	32.5	20.5
UPR650	655	675	685	283	510	8	325	580	12-M16	24	666	18-M8	20	50	223	198	38.5	20.5
UPR710	715	740	750	283	550	8	375	620	9-M16	24	730	18-M8	20	43	248	223	50.5	23.5
UPR910	915	915	925	291	700	10	560	800	12-M16	26	905	18-M8	33	56	342	317	50.5	23.5

Model	S	T	U	V	W	X	Y(h8)	Z	A1	B1	C1	D1	E1	F1	G1	H1	J1	K1
UPR440	43	37	165	68.3	1.5	62	22	3.3	20°	9X40°	10°	18X20°	38°	20°	Rc3/8	374	83°	374
UPR450	43	37	165	68.3	1.5	62	22	3.3	20°	9X40°	10°	18X20°	38°	20°	Rc3/8	374	83°	374
UPR460	43	37	165	68.3	1.5	62	22	3.3	20°	9X40°	10°	18X20°	38°	20°	Rc3/8	374	83°	374
UPR550	60	39.5	180	70.5	3	65	25.5	3.3	15°	12X30°	0°	18X20°	25°	20°	Rc3/8	474	60°	474
UPR570	60	39.5	180	70.5	3	65	25.5	3.3	15°	12X30°	0°	18X20°	25°	20°	Rc3/8	474	60°	474
UPR600	60	39.5	180	70.5	3	65	25.5	3.3	15°	12X30°	0°	18X20°	25°	20°	Rc3/8	508	60°	508
UPR650	60	40	209.5	81.3	3	75	30	3.3	15°	12X30°	0°	18X20°	25°	20°	Rc1/2	580	60°	580
UPR710	60	40	209.5	81.3	3	75	30	3.3	20°	9X40°	0°	18X20°	30°	15°	Rc1/2	620	45°	620
UPR910	60	40	209.5	81.3	3	75	30	3.3	15°	12X30°	0°	18X20°	30°	15°	Rc1/2	800	60°	800



Global Network

America Contact

- **KITAGAWA - NORTHTECH INC.**
 Tel. +1 847-310-8787 Fax. +1 847-310-9484
- **TECNARA TOOLING SYSTEMS, INC.**
 Tel. +1 562-941-2000 Fax. +1 562-946-0506

301 E. Commerce Dr, Schaumburg, IL. 60173 USA
<http://www.kitagawa.com>
 12535 McCann Dr, Santa Fe Springs, California 90670 USA
<http://www.tecnaratools.com>

Europe Contact

- KITAGAWA EUROPE LTD.**
 Tel. +44 1725-514000 Fax. +44 1725-514001
- **KITAGAWA EUROPE GmbH**
 Tel. +49 2102-123-78-00 Fax. +49 2102-123-78-69
- KITAGAWA EUROPE GmbH Poland Office**
 Tel. +48 607-39-8855 Fax. +48 32-749-5918
- KITAGAWA EUROPE GmbH Czech Office**
 Tel. +420 603-856-122 Fax. +420 549-273-246

Unit 1 The Headlands, Downton, Salisbury, Wiltshire SP5 3JJ, United Kingdom
<http://www.kitagawaeurope.com>
 Borsigstrasse 3, 40880, Ratingen Germany
<http://www.kitagawaeurope.de>
 44-240 Zory, ul. Niepodleglosci 3 Poland
<http://www.kitagawaeurope.de>
 Lysicka 3, 621 00 Brno, Czech Republic
<http://www.kitagawaeurope.de>

Asia Contact

- KITAGAWA INDIA PVT LTD.**
 Tel. +91 20-6500-5981 Fax. +91 20-2615-0588
- **KITAGAWA (THAILAND) CO.,LTD. Bangkok Office**
 Tel. +66 2-712-7479 Fax. +66 2-712-7481
- **KITAGAWA IRON WORKS CO.,LTD. Singapore Branch**
 Tel. +65 6838-4318 Fax. +65 6408-3935
- **KITAGAWA IRON WORKS (SHANGHAI) CO.,LTD.**
 Tel. +86 21-6295-5772 Fax. +86 21-6295-5792
- **DEAMARK LIMITED**
 Tel. +886 2-2393-1221 Fax. +886 2-2395-1231
- **KITAGAWA KOREA AGENT CO.,LTD.**
 Tel. +82 2-2026-2222 Fax. +82 2-2026-2113

Lotus House East, Lane 'E' North Main Road, Koregaon Park, Pune 411 001, Maharashtra, India
 9th FL, Home Place Office Building, 283/43 Sukhumvit 55Rd. (Thonglor 13),Klongton-Nua, Wattana, Bangkok 10110, Thailand
 #02-01 One Fullerton, 1 Fullerton Road, Singapore 049213
 Room308 3F Building B. Far East International Plaza, No.317 Xian Xia Road, Chang Ning, Shanghai, 200051 China
<http://www.kiw-sh.com>
 No. 6, Lane 5, Lin Sen North Road, Taipei, Taiwan
<http://www.deamark.com.tw>
 803 Ho, B-Dong, Woolim Lion's Valley, 371-28 Gasan-Dong, Gumcheon-Cu, Seoul, Korea
<http://www.kitagawa.co.kr>

Oceania Contact

- DIMAC TOOLING PTY.LTD.**
 Tel. +61 3-9561-6155 Fax. +61 3-9561-6705

61-65 Geddes Street, Mulgrave, Victoria, 3170 Australia
<http://www.dimac.com.au>

■ Japanese speaker available



KITAGAWA IRON WORKS CO., LTD.

77-1 Motomachi, Fuchu-shi, Hiroshima-pref. 726-8610, Japan Tel. +81 847-40-0526 Fax. +81 847-45-8911

- Specifications and outside appearance are subject to change without notice due to ongoing research and development.
 - The color of the actual product may be different from the catalogue's due to printing matters.
 - Catalogue contents as of **2013.11**
 - The products herein are controlled under Japanese Foreign Exchange and Foreign Trade Control Act.
- In the event of importing and/or exporting the products,
 you are obliged to consult KITAGAWA as well as your government for the related regulation prior to any transaction.